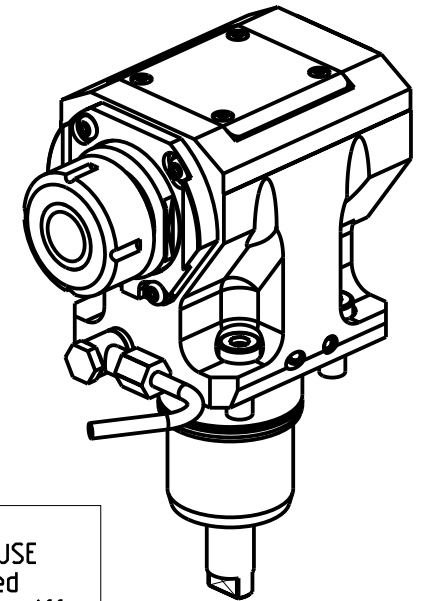


ATTENZIONE - ATTENTION - ACHTUNG

- VERIFICARE LE MISURE DI INGOMBRO PER POSSIBILE INTERFERENZA SU ALCUNI MODELLI DI MACCHINE
- Please check the overall sizes for possible interferences on some machine models
- Bitte überprüfen sie das ausmass um mögliche interferenzen auf einigen maschinen modellen zu vermeiden



- Chiave inclusa
- Key included
- Schlüssel inbegriffen

Cod. MT	Mandrino Spindle Spindel	I (n1:n2)	RPM max n2	Coppia Max Max Torque Max Drehmoment M2 (Nm)	Reversibile 180° 180° Reversible 180° umsetzbar	Lubrificazione int. Coolant through Innenkuehlung Pmax (bar)	Lubr. esterna Ext. coolant Aussenkuehlung	Lav. secco Dry-run Trocken Bearb.	A	B	CHIAVI NON INCLUSE Keys not included Schlüssel nicht einbegriffen	
NKM2420132	ER32	1:1	12000	50	X	-	X	X	88.7	56.5	CHSTER32	OKU0650004 •
NKM2420140	ER40	1:1	12000	50	X	-	X	X	99.2	56.5	CHSTER40	OKU0650004 •
NKM2420232	ER32	1:1	12000	50	X	100 (diag. 2)	X	X	88.7	67.5	CHSTER32	OKU0650004 •
NKM2420240	ER40	1:1	12000	50	X	100 (diag. 2)	X	X	99.2	67.5	CHSTER40	OKU0650004 •

NAKAMURA-TOME

WT250 - WT15011/25011 - WTW150 - WTS150 - SC150/200/250 - SC20011 12/16 ST. - SC30011 16ST. - JX200/250
 SUPER NTJX - NTY3 150(V)/250 - AS200 15ST. - AS200L 15ST.

MODULO MOTORIZZATO ASSIALE 12000 RPM H=75mm
 Axial driven tool 12000 rpm H=75mm
 Axial angetriebenes Werkzeug 12000 rpm H=75mm

M.T. srl

Via Casino Albini 480
 Tel. 0541/956034-957884
 Fax 0541/956341
 47842 S. GIOVANNI IN M. (RN)
 e-mail: mtma@mtmarchetti.com
 http://www.mtmarchetti.com



NKM150-2-23

Subject to change without notice.

03/2026