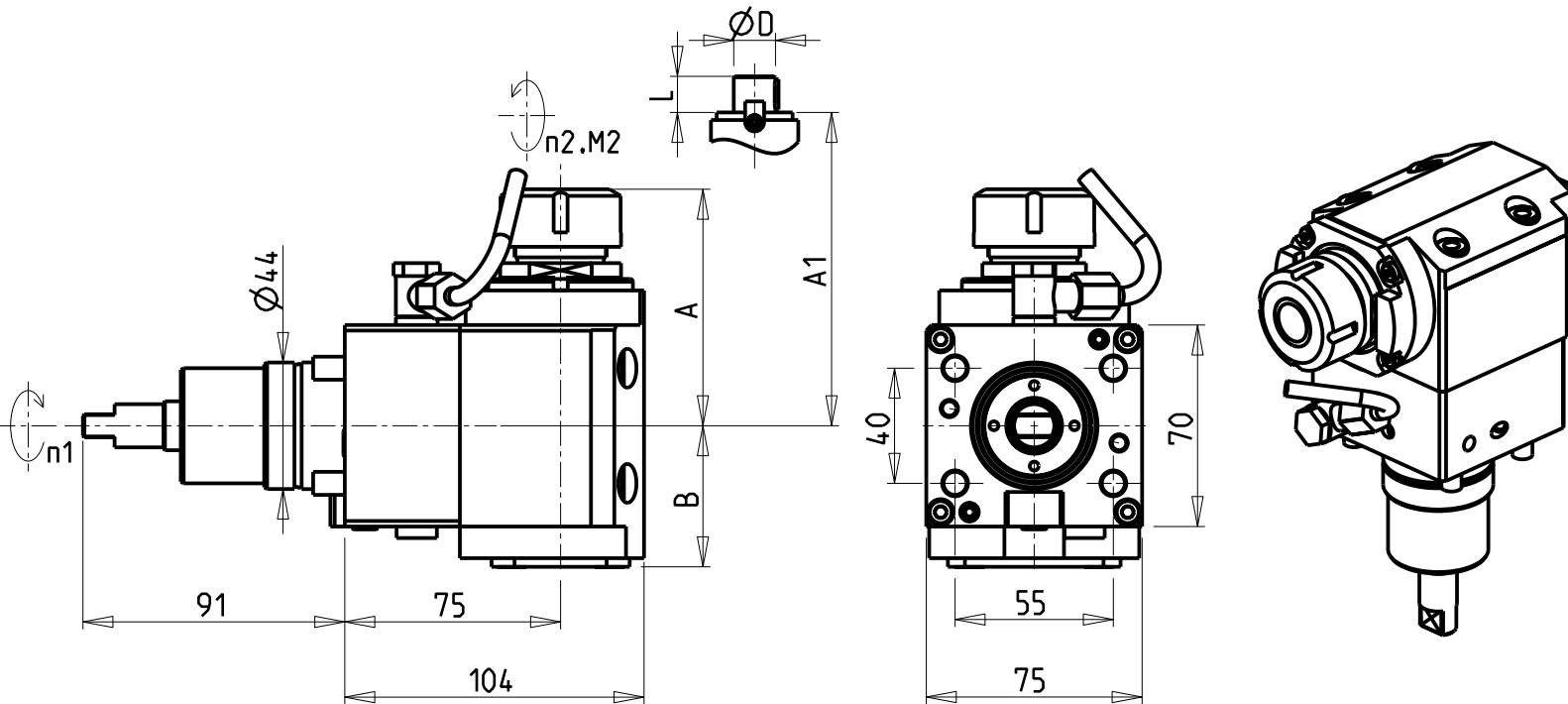


ATTENZIONE - ATTENTION - ACHTUNG

- Per lo smontaggio degli utensili utilizzare sempre la chiave di contrasto come indicato nel manuale d'uso.
- For disassembly of the tools use always the contrast key as mentioned in the user instructions.
- Fuer das Abmontieren der Werkzeuge immer den Gegenschlüssel benutzen wie in der Bedienungsanleitung erwaeht.



- Chiave inclusa
- Key included
- Schluessel inbegriffen

Cod. MT	Mandrino Spindle Spindel	I (n1:n2)	RPM max n2	Coppia Max Max Torque Max Drehmoment M2 (Nm)	Reversibile 180° 180° Reversible 180° umsetzbar	Lubrificazione int. Coolant through Innenkuehlung Pmax (bar)	Lubr. esterna Ext. coolant Aussenkuehlung	Lav. secco Dry-run Trocken Bearb.	A	A1	B	D	L	CHIAVI NON INCLUSE Keys not included Schluessel nicht einbegriffen	
NKM1320125	ER25	1:1	6000	35	X	-	X	X	82.16	-	49	-	-	OKU0290009	CHSTER25
NKM1320225	ER25	1:1	6000	35	X	100 (diag. 2)	X	X	82.16	-	59	-	-	OKU0290009	CHSTER25
NKM1320520	ERA20	1:1	6000	35	X	-	X	X	69.23	-	49	-	-	OKU0290009	CHUB22
NKM1320620	ERA20	1:1	6000	35	X	100 (diag. 2)	X	X	69.23	-	59	-	-	OKU0290009	CHUB22
NKM1321617	Ø16x17	1:1	6000	35	X	-	X	X	-	63	49	16	17	CHUB36	CH_VTCROCE_M08
NKM1322219	Ø22x19	1:1	6000	35	X	-	X	X	-	63	49	22	19	CHUB36	CH_VTCROCE_M10

NAKAMURA-TOME
 MOD: SUPER NTMX - SUPER NTMXL - MX-5 - NTJ100 - SC100 - SC100X² - MX100
 MODULO MOTORIZZATO ASSIALE H=75mm
 Axial driven tool H=75mm
 Axial angetriebenes Werkzeug H=75mm

M.T. srl
 Via Casino Albini 480
 Tel. 0541/956034-957884
 Fax 0541/956341
 47842 S. GIOVANNI IN M. (RN)
 e-mail: mtma@mtmarchetti.com
 http://www.mtmarchetti.com



MT
 NKM150-1-20

Subject to change without notice.