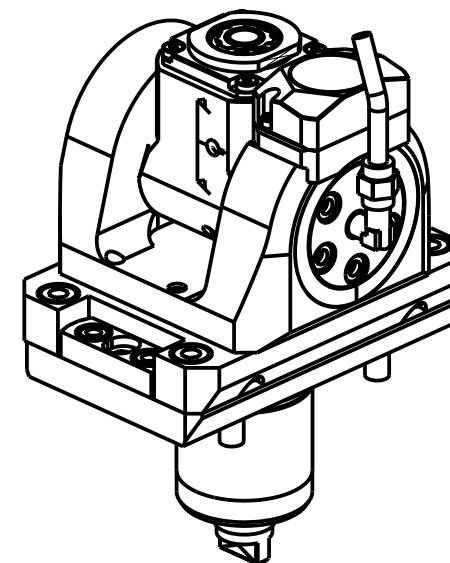
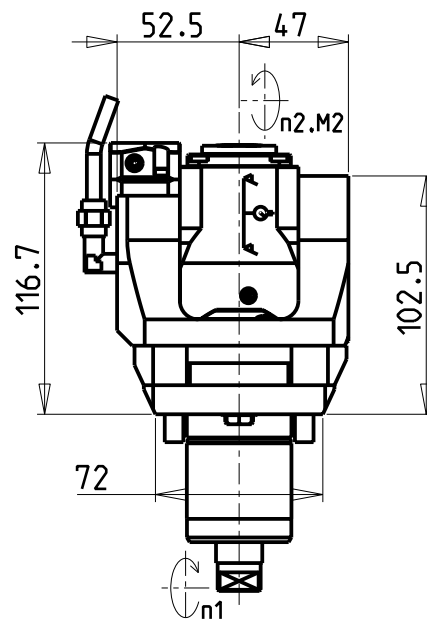
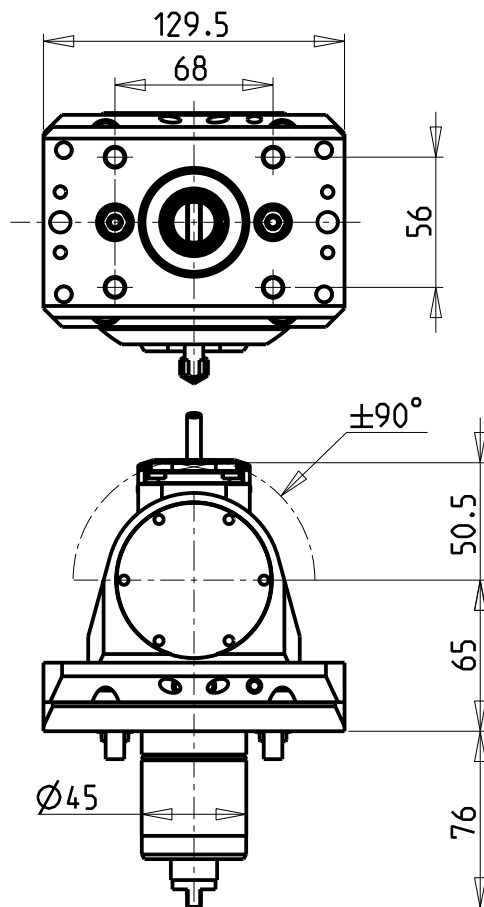


ATTENZIONE - ATTENTION - ACHTUNG

- Per lo smontaggio degli utensili utilizzare sempre la chiave di contrasto come indicato nel manuale d'uso.
- For disassembly of the tools use always the contrast key as mentioned in the user instructions.
- Fuer das Abmontieren der Werkzeuge immer den Gegenschlüssel benutzen wie in der Bedienungsanleitung erwäehnt.



| Cod. MT | Mandrino Spindle Spindel | I (n1:n2) | RPM max n2 | Coppia Max Max Torque Max Drehmoment M2 (Nm) | Reversibile 180° 180° Reversible 180° umsetzbar | Lubrificazione int. Coolant through Innenkuehlung Pmax (bar) | Lubr.esterna Ext. coolant Aussenkuehlung | Lav. secco Dry-run Trocken Bearb. | CHIAVI INCLUSE Keys included Schlüssel inbegriffen | | | |
|------------|--------------------------|-----------|------------|--|---|--|--|-----------------------------------|--|--------|---------|------------|
| MYA0085316 | ERA16 | 1:2 | 12000 | 8 | X | - | X | X | CHUB19_SP3 | CHUB32 | CHESL06 | CHTAER16ZC |
| MYA0085416 | ERA16 | 1:2 | 12000 | 8 | X | 70 | X | - | CHUB19_SP3 | CHUB32 | CHESL06 | CHTAER16ZC |

MIYANO
 MOD: ABX-51/64 SY/TH2/TH3 - BND-51 C/S/SY - BNE-34/51 S/SY/MSY - BNE-51/65 MYY - BNJ-34/42/51 S/SY - BNX-42/51 SY

MODULO MOTORIZZATO ORIENTABILE +/-90° MOLTIPLICATO I=1:2 CON NONIO DIGITALE
 +/-90° adjustable angle driven tool geared-up I=1:2 with digital display
 Angetriebenes Werkzeug schwenkbar +/-90° uebersetzt I=1:2 mit digital display

Subject to change without notice.

M.T. srl
 Via Casino Albini 480
 Tel. 0541/956034-957884
 Fax 0541/956341
 47842 S. GIOVANNI IN M. (RN)
 e-mail: mtma@tmarchetti.com
 http://www.mtmarchetti.com



MYA336-2-01