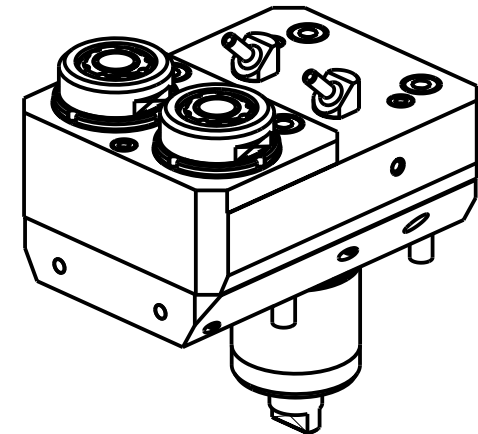
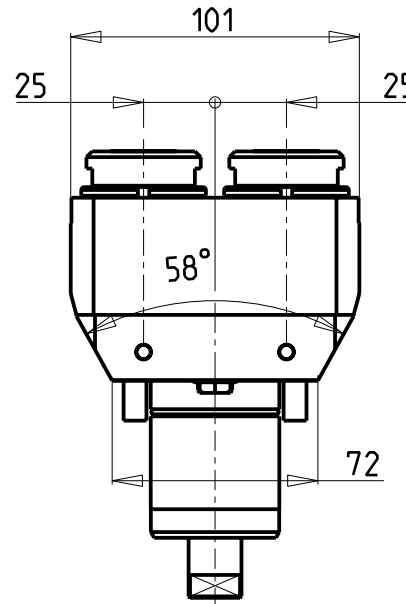
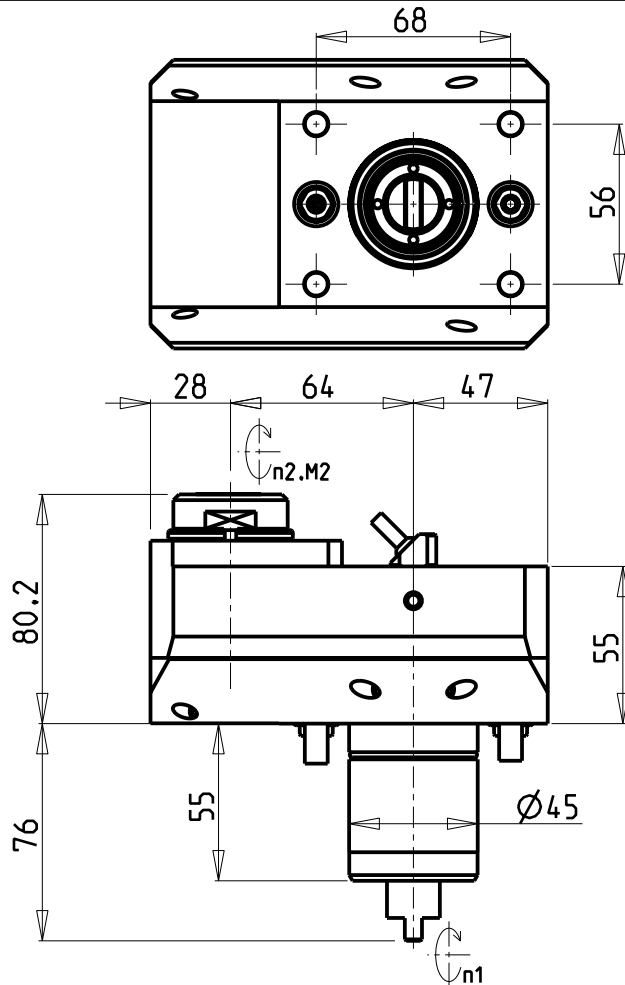


ATTENZIONE - ATTENTION - ACHTUNG

- Per lo smontaggio degli utensili utilizzare sempre la chiave di contrasto come indicato nel manuale d'uso.
- For disassembly of the tools use always the contrast key as mentioned in the user instructions.
- Fuer das Abmontieren der Werkzeuge immer den Gegenschlüssel benutzen wie in der Bedienungsanleitung erwaeht.



Cod. MT	Mandrino Spindle Spindel	I (n1:n2)	RPM max n2	Coppia Max Max Torque Max Drehmoment M2 (Nm)	Reversibile 180° 180° Reversible 180° umsetzbar	Lubrificazione int. Coolant through Innenkuehlung Pmax (bar)	Lubr.esterna Ext. coolant Aussenkuehlung	Lav. secco Dry-run Trocken Bearb.	CHIAVI NON INCLUDE Keys not included Schluesssel nicht einbegriffen		
MYA0470320	ERA20	1:1	6000	40	X	-	X	X	CHTAER20ZC	CHUB22	CHUB36
MYA0470420	ERA20	1:1	6000	40	X	100 (diag. 2)	X	X	CHTAER20ZC	CHUB22	CHUB36

- Chiave inclusa
- Key included
- Schluesssel inbegriffen

NEW
NEW

MIYANO
 MOD: ABX-51/64 SY/TH2/TH3 - BND-51 C/S/SY - BNE-34/51 S/SY/MSY - BNE-51/65 MYY - BNJ-34/42/51 S/SY - BNX-42/51 SY
 MODULO MOTORIZZATO RADIALE 2 USCITE IN Y
 Radial twin head driven tool in Y
 Radial angetriebenes Werkzeug 2 Ausgaenge in Y

M.T. srl
 Via Casino Albini 480
 Tel. 0541/956034-957884
 Fax 0541/956341
 47842 S. GIOVANNI IN M. (RN)
 e-mail: mtma@mtmarchetti.com
 http://www.mtmarchetti.com



MYA080-2-10

Subject to change without notice.