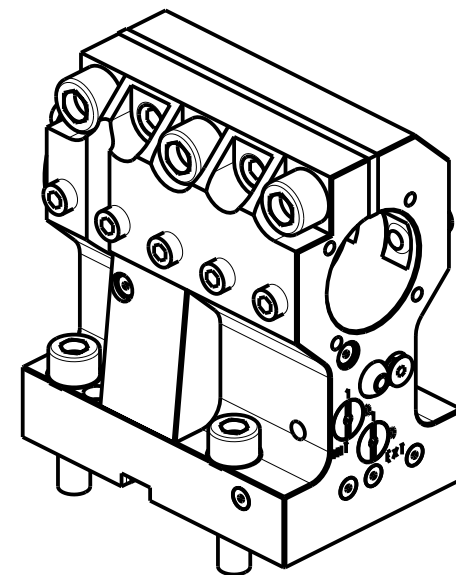


SOLO GUARNIZIONE (OPZIONALE)  
 ONLY SEAL (OPTIONAL)  
 NUR DICHTUNG (OPTIONAL)  
 cod. 0520013

KIT ADDUZIONE INTERNA (OPZIONALE)  
 KIT FOR INTERNAL COOLANT (OPTIONAL)  
 KIT FUER INTERNE KUEHLMITTELZUFUHR (OPTIONAL)  
 Ø40 cod. KIT1003003  
 Ø1 1/2" cod. KIT1003004

PER BOCCOLE DI RIDUZIONE VEDI PAG. TBL150-1-00  
 FOR REDUCING BUSHINGS SEE PAGE TBL150-1-00  
 FUER REDUZIERBUCHSE SIEHE SEITE TBL150-1-00



| Cod. MT    | N°Utensili<br>N°Tools<br>N°Werkzeuge | Lubrificazione int.<br>opzionale<br>Coolant through<br>optional<br>Innenkuehlung<br>Optional | Lubrificazione est.<br>Ext. coolant<br>Aussenkuehlung | Reversibile lato<br>mandrino/contromandrino<br>Reversible sub/main<br>spindle side<br>Umkehrbare Spindel-seite/<br>Gegenspindel-seite | Misure<br>Dimensions<br>Masse | D      |
|------------|--------------------------------------|--|---|---|-------------------------------|--------|
| MNZ0154000 | 1                                    | X  | X   | X   | mm                            | 40     |
| MNZ0153810 | 1                                    | X  | X   | X   | Inch                          | 1-1/2" |

DMG-MORI

NZ1500/2000 - NZX1500/2000 - NZX2500 (BMT40) - NT3100/3150/3200 - NL1500/2000/2500 20 ST. - NLX1500/2000/2500 20 ST. - NLX2500 2ND GEN. 20ST. - NTX500 (BMT40)  
 NTX1000/2000/2500/3000 2ND GEN. 12ST. - DURATURN 2050MC/2550MC - ALC/ALX1500/2000/2500 (BMT40) - ECOTURN 450 (BMT40) - NZ DUE/TRE/QUATTRO (BMT40)

PORTAUTENSILE ASSIALE PER BARENO Ø40mm / Ø1 1/2" H=90mm

Axial single boring bar holder Ø40mm / Ø1 1/2" H=90mm

Axial Bohrhalter Ø40mm / Ø1 1/2" H=90mm

Subject to change without notice.

M.T. srl

Via Casino Albini 480  
 Tel. 0541/956034-957884  
 Fax 0541/956341  
 47842 S. GIOVANNI IN M. (RN)  
 e-mail: mtma@mtmarchetti.com  
 http://www.mtmarchetti.com



MNZ630-1-20

09/2025