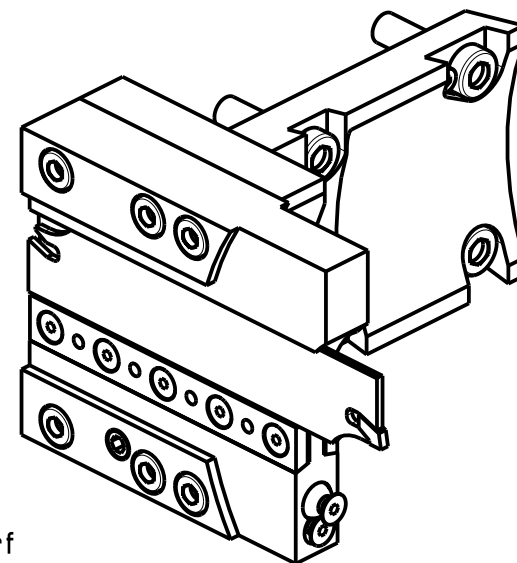


LAMA ED INSERTI NON INCLUSI (OPZIONALI)  
 BLADE AND INSERTS NOT INCLUDED (OPTIONAL)  
 KLINGE UND EINSATZE NICHT INBEGRIFFEN (OPTIONAL)

POSSIBILITA' DI LAVORO M3/M4  
 OPTION OF M3/M4 WORKING  
 ARBEITSMOGLICHKEIT M3/M4



Su NL/NLX-1500/2000 20 stazioni il portautensile cod. MNZ0180132 è fuori volteggio  
 On NL/NLX-1500/2000 20 st. the blade holder cod. MNZ0180132 is out of rotation  
 Auf NL/NLX-1500/2000 20 st. ist das Abstechhalter cod. MNZ0180132 ausser Raumbedarf

Cod. MT	N°Utensili N°Tools N°Werkzeuge	Reversibile lato mandrino/contromandrino Reversible sub/main spindle side Umkehrbare Spindel-seite/ Gegenspindel-seite	A	B	C	L MAX
MNZ0180132	1	X	127.5	114.5	39	125
MNZ0180232	1	X	114.5	100	52	115

DMG-MORI

NL1500/2000 - NZX1500/2000 - NZX2500 (BMT40) - NT3100/3150/3200 - NL1500/2000/2500 20 ST. - NLX1500/2000/2500 20 ST. - NLX2500 2ND GEN. 20ST. - NT1000/2000 - NTX500 (BMT40)  
 NTX1000/2000/2500/3000 2ND GEN. 12ST. - DURATURN 2050MC/2550MC - NRX2000 - ALC/ALX1500/2000/2500 (BMT40) - ECOTURN 450 (BMT40) - NZ DUE/TRE/QUATTRO (BMT40)

PORTAUTENSILE PER LAMA DOPPIO

Radial double blade holder

Radial Doppel Abstechhalter

Subject to change without notice.

M.T. srl

Via Casino Albini 480  
 Tel. 0541/956034-957884  
 Fax 0541/956341

47842 S. GIOVANNI IN M. (RN)  
 e-mail: mtma@mtmarchetti.com  
 http://www.mtmarchetti.com



MNZ520-1-00