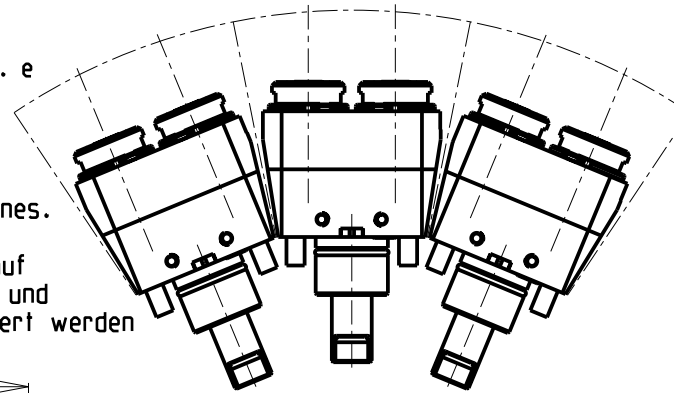


-Si possono montare affiancati anche su macchine NZX1500/2000 16ST. e NL-NLX1500/2000/2500 20ST.

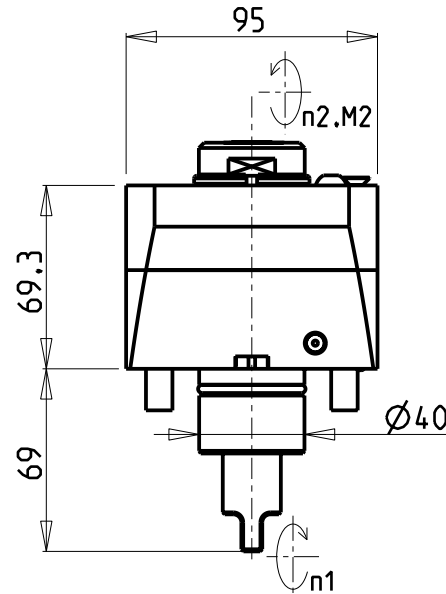
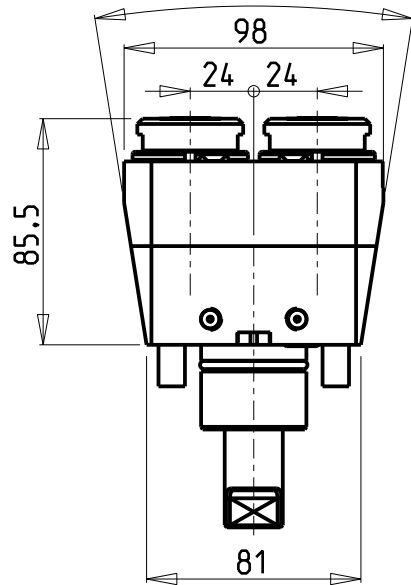
- Can be mounted side by side also on NZX1500/2000 16ST. and NL-NLX1500/2000/2500 20ST. machines.

-Sie koennen auch Seite an Seite auf den Maschinen NZX1500/2000 16ST. und NL-NLX1500/2000/2500 20ST. montiert werden

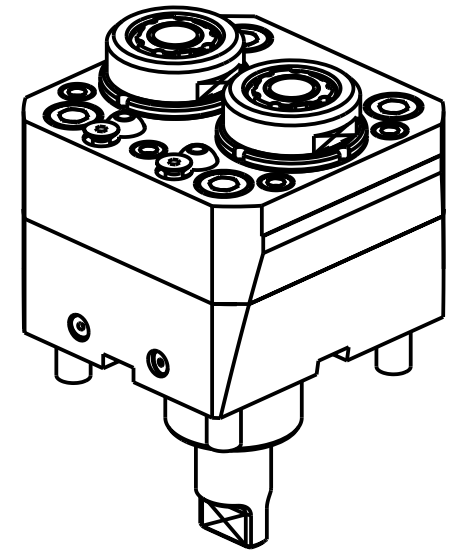


ATTENZIONE - ATTENTION - ACHTUNG

- Per lo smontaggio degli utensili utilizzare sempre la chiave di contrasto come indicato nel manuale d'uso.
- For disassembly of the tools use always the contrast key as mentioned in the user instructions.
- Fuer das Abmontieren der Werkzeuge immer den Gegenschuessel benutzen wie in der Bedienungsanleitung erwaehnt.



- Chiave inclusa
- Key included
- Schluessel inbegriffen



Cod. MT	Mandrino Spindle Spindel	I (n1:n2)	RPM max n2	Coppia Max Max Torque Max Drehmoment	Lubrificazione int. Coolant through Innenkuehlung	Lubrificazione est. Ext. coolant Aussenkuehlung	Lav. secco Dry-run Trocken Bearb.	CHIAVI NON INCLUSE Keys not included Schluessel nicht inbegriffen		
				M2 (Nm)	Pmax (bar)					
MNZ0690320	ERA20	1:1	6000	30	-	X	X	CHUB36	CHUB22	CHTAER20ZC •
MNZ0690420	ERA20	1:1	6000	30	100 (diag. 2)	X	X	CHUB36	CHUB22	CHTAER20ZC •

DMG-MORI

NZ1500/2000 - NZX1500/2000 - NT3100/3150/3200 - NL1500/2000/2500 20 ST. - NLX1500/2000/2500 20 ST. - NLX2500 2ND GEN. 20ST. - NT1000/2000 - NTX500 (BMT40) - NTX1000/2000/2500/3000 2ND GEN. 12ST. - DURATURN 2050MC/2550MC - ALC/ALX1500/2000/2500 (BMT40) - ECOTURN 450 (BMT40) - NZ DUE/TRE/QUATTRO (BMT40)

MODULO MOTORIZZATO RADIALE 2 USCITE IN Y
Radial single side twin head driven tool in Y
Radial angetriebenes Werkzeug 2 Ausgaenge in Y

Subject to change without notice.

M.T. srl

Via Casino Albini 480
Tel. 0541/956034-957884
Fax 0541/956341
47842 S. GIOVANNI IN M. (RN)
e-mail: mtma@mtmarchetti.com
http://www.mtmarchetti.com



MNZ080-1-05