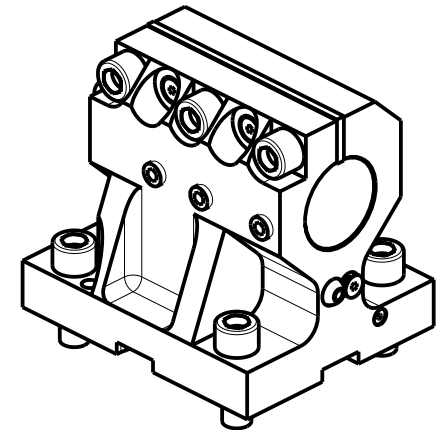


SOLO GUARNIZIONE (OPZIONALE)
 ONLY SEAL (OPTIONAL)
 NUR DICHTUNG (OPTIONAL)
 cod. 0520013

KIT ADDUZIONE INTERNA (OPZIONALE)
 KIT FOR INTERNAL COOLANT (OPTIONAL)
 KIT FUER INTERNE KUEHLMITTELZUFUHR (OPTIONAL)
 Ø40 cod. KIT1003003
 Ø1 1/2" cod. KIT1003004



Cod. MT	Cod. MORI-SEIKI	N°Utensili N°Tools N°Werkzeuge	Reversibile 180° 180° Reversible 180° umsetzbar	Lubrificazione int. opzionale Coolant through optional Innenkuehlung Optional	Lubrificazione est. Ext. coolant -- Aussenkuehlung	Misure Dimensions Masse	D
MNL0114000	T10097/T13128	1	X	X	X	mm	40
MNL0113810	T10101/T13130	1	X	X	X	Inch	1 1/2"

PER BOCCOLE DI RIDUZIONE VEDI PAG. TBL150-1-00
 FOR REDUCING BUSHINGS SEE PAGE TBL150-1-00
 FUR REDUZIERBUCHSE SIEHE SEITE TBL150-1-00

DMG-MORI
 NL1500/2000/2500/3000 12ST. - NLX1500/2000/2500/3000 12ST. - NLX2500 2ND GEN. 10/12ST. - NLX4000 - NZL2000/2500
 NZX2500 (BMT60) - NTX2000/2500/3000 2ND GEN. 10ST. - CTX2500 (BMT60)
 PORTAUTENSILE ASSIALE PER BARENO Ø40mm / Ø1 1/2" H=80mm
 Axial single boring bar holder Ø40mm / Ø1 1/2" H=80mm
 Axial Bohrhalter Ø40mm / Ø1 1/2" H=80mm

M.T. srl
 Via Casino Albini 480
 Tel. 0541/956034-957884
 Fax 0541/956341
 47842 S. GIOVANNI IN M. (RN)
 e-mail: mtma@mtmarchetti.com
 http://www.mtmarchetti.com



MNL630-1-20

Subject to change without notice.