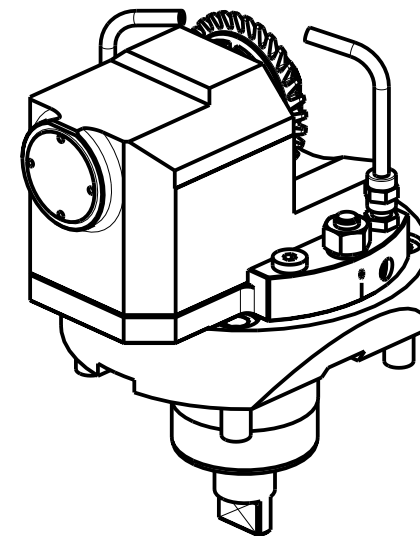


INCLINAZIONE
REGOLABILE ±31°



| Cod. MT | Mandrino Spindle Spindel | I (n1:n2) | RPM max n2 | Coppia Max Max Torque Max Drehmoment M2 [Nm] | Lubrificazione est. Ext. coolant Aussenkuehlung | Lav. secco Dry-run Trocken Bearb. | ØD | H | CHIAVI INCLUSE Keys included Schluessel einbegriffen | | | |
|------------|--------------------------------|--------------|------------------|---|---|---|----------|--------|--|--------|---------|---------|
| MNL0378022 | Ø22x12 | 1:1 | 6000 | 50 | X | X | 63-70-80 | MAX 12 | CHUB38 | CHUB17 | CHESL10 | CHESL08 |
| MNL0378125 | Ø1" x 12 | 1:1 | 6000 | 50 | X | X | 63-70-80 | MAX 12 | CHUB38 | CHUB17 | CHESL10 | CHESL08 |

DMG-MORI

NL1500/2000/2500/3000 12 ST. - NLX1500/2000/2500/3000 12 ST. - NLX2500 2ND GEN. 10/12ST. - NLX4000 - NZL2000/2500
NZX2500 (BMT60) - NT4200/4250/4300/5400 - NTX2000/2500/3000 2ND GEN. 10ST. - CTX2500 (BMT60)

MODULO MOTORIZZATO PER VITI SENZA FINE

Driven tool for worm screws

Angetriebenes Werkzeug fuer schrauben ohne ende

Subject to change without notice.

M.T. srl

Via Casino Albini 480
Tel. 0541/956034-957884
Fax 0541/956341
47842 S. GIOVANNI IN M. (RN)
e-mail: mtma@mtmarchetti.com
http://www.mtmarchetti.com



MNL359-1-00