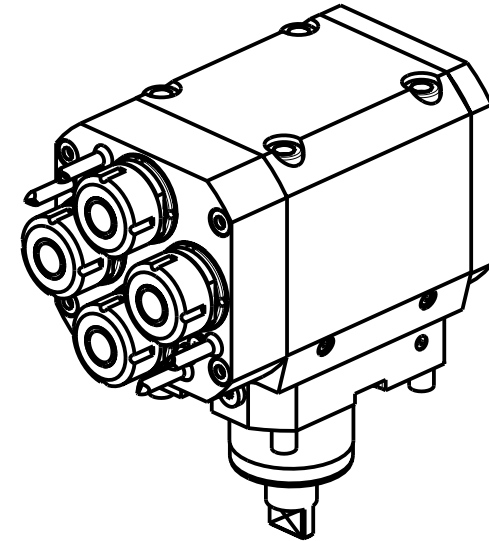


ATTENZIONE - ATTENTION - ACHTUNG

- Per lo smontaggio degli utensili utilizzare sempre la chiave di contrasto come indicato nel manuale d'uso.
- For disassembly of the tools use always the contrast key as mentioned in the user instructions.
- Fuer das Abmontieren der Werkzeuge immer den Gegenschlüssel benutzen wie in der Bedienungsanleitung erwäehnt.



| Cod. MT | Mandrino Spindle Spindel | I (n1:n2) | RPM max n2 | Coppia Max Max Torque Max Drehmoment M2 (Nm) | N°Utensili N°Tools N°Werkzeuge | Reversibile 180° 180° Reversible 180° umsetzbar | Lubr.esterna Ext. coolant Aussenkeuchtung | Lav. secco Dry-run Trocken Bearb. | A | B | C max Lato contromandrino Subspindle side Gegenspindel-seite | CHIAVI INCLUDE Keys included Schlüssel inbegriffen | |
|------------|--------------------------|-----------|------------|--|--------------------------------|---|---|-----------------------------------|--------|--------|--|--|------------|
| MNL1110425 | ER25 | 1:1 | 10000 | 30 | 4 | X | X | X | 130.96 | - | - | MNL0210007 | MNL0210008 |
| MNL1114425 | ER25+ER25 | 1:1 | 10000 | 30 | 4+4 | X | X | X | 130.96 | 130.96 | 36 | MNL0210007 | MNL0210008 |

DMG-MORI

NL1500/2000/2500/3000 12 ST. - NLX1500/2000/2500/3000 12 ST. - NLX2500 2ND GEN. 10/12ST. - NLX4000 - NZL2000/2500 - NZX2500 (BMT60)
 NT4200/4250/4300/5400 - NTX2000/2500/3000 2ND GEN. 10ST. - CTX2500 (BMT60)

MODULO MOTORIZZATO ASSIALE 4/8 USCITE 10000 RPM

Axial multiple 4/8 outlet driven tool 10000 rpm

Axial angetriebenes Mehrspindel-Werkzeug 4/8 Ausgaenge 10000 rpm

Subject to change without notice.

M.T. srl

Via Casino Albini 480
 Tel. 0541/956034-957884
 Fax 0541/956341
 47842 S. GIOVANNI IN M. (RN)
 e-mail: mtma@mtmarchetti.com
 http://www.mtmarchetti.com



MNL270-1-01