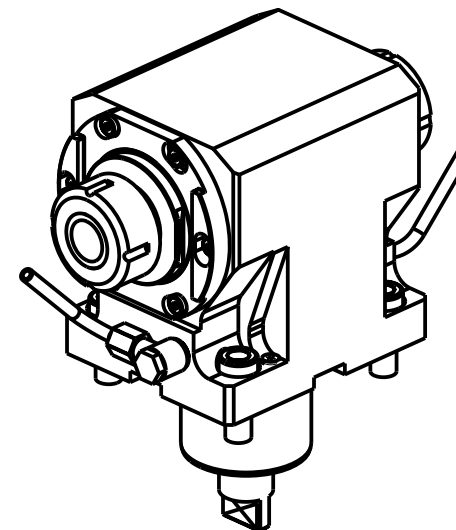


### ATTENZIONE - ATTENTION - ACHTUNG

- Per lo smontaggio degli utensili utilizzare sempre la chiave di contrasto come indicato nel manuale d'uso.
- For disassembly of the tools use always the contrast key as mentioned in the user instructions.
- Fuer das Abmontieren der Werkzeuge immer den Gegenschlüssel benutzen wie in der Bedienungsanleitung erwäehnt.



- Chiave inclusa
- Key included
- Schlüssell inbegriffen

Cod. MT	Mandrino Spindle Spindel	I (n1:n2)	RPM max n2	Coppia Max Torque Max Drehmoment M2 (Nm)	Reversibile 180° 180° Reversible 180° umsetzbar	Lubr.esterna Ext. coolant Aussenkuehlung	Lav. secco Dry-run Trocken Bearb.	A	CHIAVI NON INCLUSE Keys not included Schlüssell nicht einbegriffen
MNL1380232	ER32+ER32	1:1	6000	100	X	X	X	103.2	OKU0430007 • CHSTER32 -
MNL1380240	ER40+ER32	1:1	6000	100	X	X	X	106.2	OKU0430007 • CHSTER32 CHSTER40

### DMG-MORI

NL1500/2000/2500/3000 12 ST. - NLX1500/2000/2500/3000 12 ST. - NLX2500 2ND GEN. 10/12ST. - NLX4000 - NZL2000/2500 - NZX2500 (BMT60)  
 NT4200/4250/4300/5400 - CTX2500 (BMT60)

MODULO MOTORIZZATO ASSIALE BISPORGENTE H=90mm

Axial opposite face twin driven tool H=90mm

Axial angetriebenes Werkzeug halb vorspringend H=90mm

### M.T. srl

Via Casino Albini 480  
 Tel. 0541/956034-957884  
 Fax 0541/956341  
 47842 S. GIOVANNI IN M. (RN)  
 e-mail: mtma@mtmarchetti.com  
 http://www.mtmarchetti.com



MNL240-1-10

Subject to change without notice.

09/2025