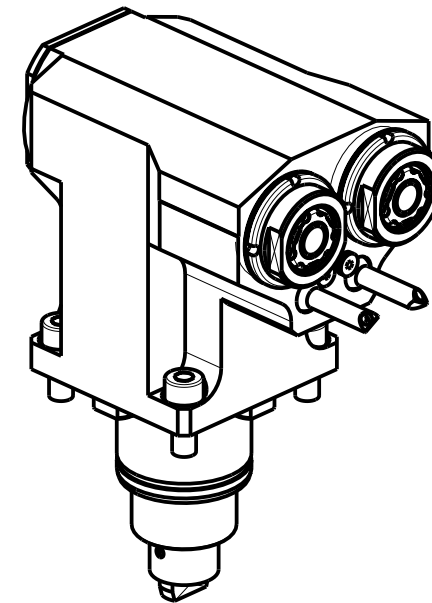
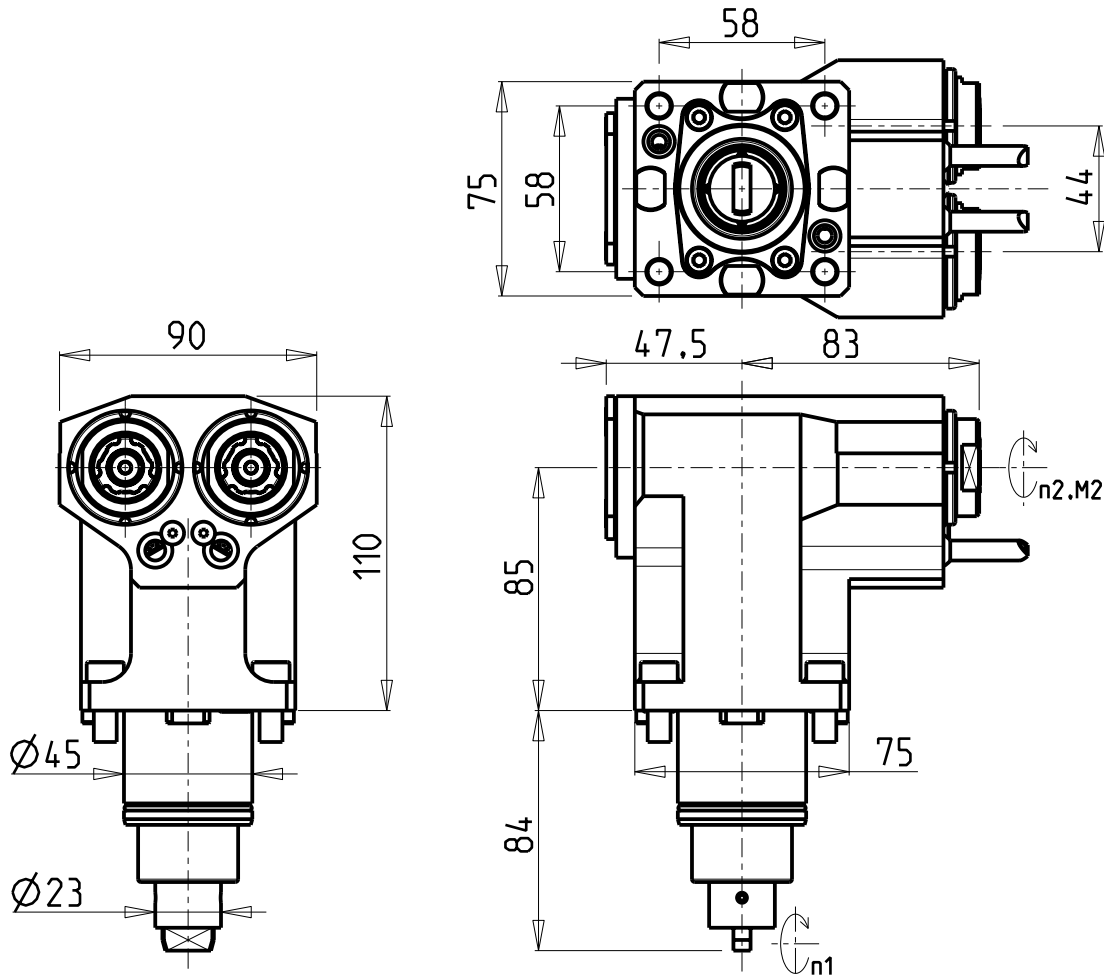


ATTENZIONE - ATTENTION - ACHTUNG

- Per lo smontaggio degli utensili utilizzare sempre la chiave di contrasto come indicato nel manuale d'uso.
- For disassembly of the tools use always the contrast key as mentioned in the user instructions.
- Fuer das Abmontieren der Werkzeuge immer den Gegenschlüssel benutzen wie in der Bedienungsanleitung erwahnt.



Cod. MT	Mandrino Spindle Spindel	I (n1:n2)	RPM max n2	Coppia Max Max Torque Max Drehmoment M2 (Nm)	Reversibile 180° 180° Reversible 180° umsetzbar	Lubr.esterna Ext. coolant Aussenkuehlung	Lav. secco Dry-run Trocken Bearb.	CHIAVI NON INCLUDE Keys not included Schluessel nicht einbegriffen
DW 01470216	ERA16	1:1	6000	30	X	X	X	CHUB19_SP3 CHUB30 CHTAER16ZC *

- Chiave inclusa
- Key included
- Schluessel inbegriffen

HYUNDAI-W IA (KIA)

MOD: SE2200 Y/LY/LSY/YA/LYA/LSYA

MODULO MOTORIZZATO ASSIALE 2 USCITE IN Y

Axial single side twin head driven tool in Y

Axial angetriebenes Werkzeug 2 Ausgaenge in Y

Subject to change without notice.

M.T. srl

Via Casino Albini 480
Tel. 0541/956034-957884
Fax 0541/956341
47842 S. GIOVANNI IN M. (RN)
e-mail: mtma@mtmarchetti.com
http://www.mtmarchetti.com



KIA260-7-10