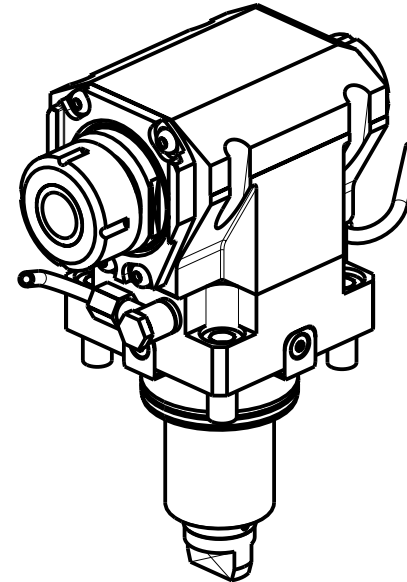
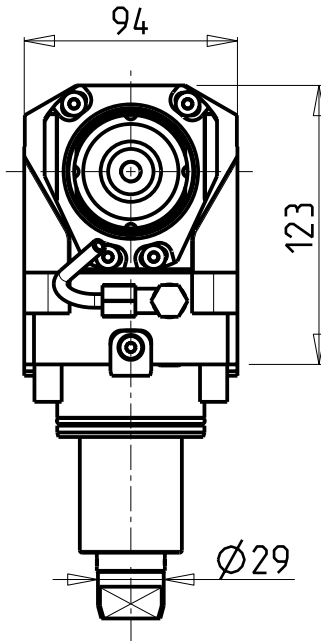
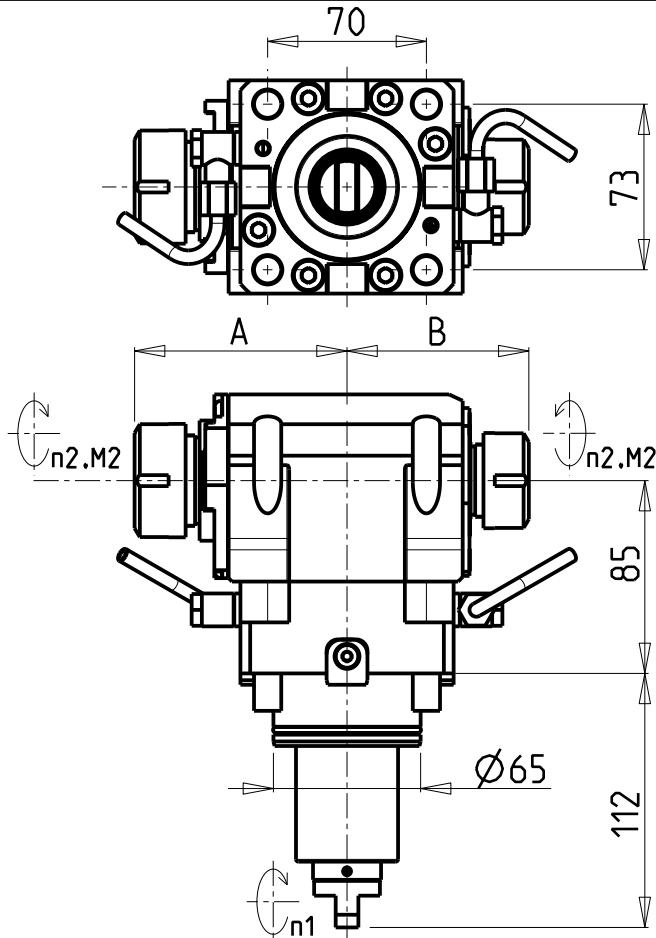


**ATTENZIONE - ATTENTION - ACHTUNG**

- Per lo smontaggio degli utensili utilizzare sempre la chiave di contrasto come indicato nel manuale d'uso.
- For disassembly of the tools use always the contrast key as mentioned in the user instructions.
- Fuer das Abmontieren der Werkzeuge immer den Gegenschlüssel benutzen wie in der Bedienungsanleitung erwäehnt.



- Chiave inclusa
- Key included
- Schluessel inbegriffen

CHIAVI NON INCLUDE  
Keys not included  
Schluessel nicht einbegriffen

Cod. MT	Mandrino Spindle Spindel	I (n1:n2)	RPM max n2	Coppia Max Max Torque Max Drehmoment M2 (Nm)	Reversibile 180° 180° Reversible 180° umsetzbar	Lubr.esterna Ext. coolant Aussenkuehlung	Lav. secco Dry-run Trocken Bearb.	A	B					
DW 01150132	ER32+ER25	1:1	6000	100	X	X	X	93.66	80.16	CHSTER32	CHSTER25	OKU0650004 •	-	-
DW 01152520	ERA25+ERA20	1:1	6000	100	X	X	X	65	55.5	CHUB22	CHUB27	OKU0650004 •	CHTAER20ZC •	CHTAER25ZC •

**HYUNDAI-WIA (KIA)**

SKT200TTM/TTMS/TTSY - LM2000TTM/TTMS/TTSY - SKT250TTM/TTMS/TTSY - LM2500TTM/TTMS/TTSY  
SKT250M/LM/MS - SKT300M/LM/MS - L300M/LM/MS/LMS - L2000/2600/3000Y/SY - HD2600/3100 (BMT65)

MODULO MOTORIZZATO ASSIALE BISPORGENTE H=85mm

Axial opposite face driven tool H=85mm

Axial angetriebenes Werkzeug halb vorspringend H=85mm

Subject to change without notice.

**M.T. srl**

Via Casino Albini 480  
Tel. 0541/956034-957884  
Fax 0541/956341  
47842 S. GIOVANNI IN M. (RN)  
e-mail: mtma@mtmarchetti.com  
http://www.mtmarchetti.com



KIA240-3-15