

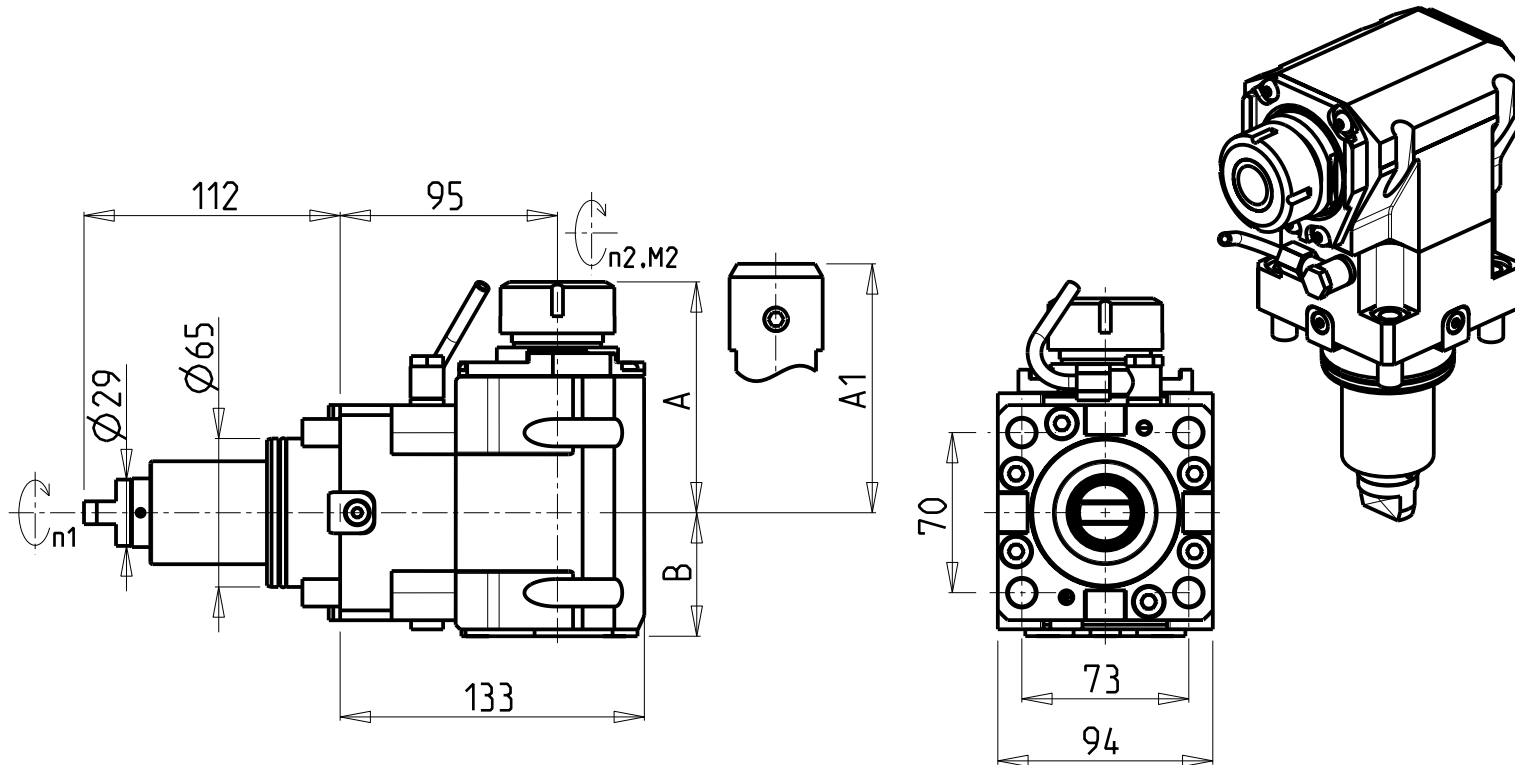
## CUSCINETTI MAGGIORATI PER LAVORAZIONI PESANTI

Reinforced bearings for  
heavy machining

Vergroesserte Lager fuer  
schwerere Bearbeitungen

### ATTENZIONE - ATTENTION - ACHTUNG

- VERIFICARE LE MISURE DI INGOMBRO PER POSSIBILE INTERFERENZA SU ALCUNI MODELLI DI MACCHINE
- Please check the overall sizes for possible interferences on some machine models
- Bitte überprüfen sie das ausmass um mögliche interferenzen auf einigen maschinen modellen zu vermeiden



• Chiave inclusa

• Key included

• Schlüssel inbegriffen

| Cod. MT    | Mandrino<br>Spindle<br>Spindel | I<br>(n1:n2) | RPM<br>max<br>n2 | Coppia Max<br>Max Torque<br>Max Drehmoment<br>M2 (Nm) | Reversibile 180°<br>180° Reversible<br>180° umsetzbar | Lubrificazione int.<br>Coolant through<br>Innenkuehlung<br>Pmax (bar) | Lubr.esterna<br>Ext. coolant<br>Aussenkuehlung | Lav.<br>secco<br>Dry-run<br>Troocken<br>Bearb. | A    | A1  | B    | CHIAVI NON INCLUSE<br>Keys not included<br>Schlüssel nicht einbegriffen |            |
|------------|--------------------------------|--------------|------------------|---|---|---|--|--|------|-----|------|---|------------|
|            |                                |              |                  |   |   |   |  |  |      |     |      |   |            |
| DW02500132 | ER32                           | 1:1          | 6000             | 110   | X   | -   | X  | X  | 99.7 | -   | 56.5 | CHSTER32  | OKU0650004 |
| DW02500232 | ER32                           | 1:1          | 6000             | 110   | X   | 100 (diag. 2)   | X  | X  | 99.7 | -   | 67.5 | CHSTER32  | OKU0650004 |
| DW02500725 | WELDON25                       | 1:1          | 6000             | 110   | X   | -   | X  | X  | -    | 106 | 56.5 | -   | -          |
| DW02500825 | WELDON25                       | 1:1          | 6000             | 110   | X   | 70  | X  | -  | -    | 106 | 67.5 | -   | -          |

### HYUNDAI-WIA (KIA)

SKT200TTM/TTMS/TTSY - LM2000TTM/TTMS/TTSY - L2000/2600/3000Y/SY - L300M/LM/MS/LMS  
SKT250TTM/TTMS/TTSY - LM2500TTM/TTMS/TTSY - SKT250M/LM/MS - SKT300M/LM/MS - SKT-V3RM/LM - LV450RM/LM - HD2600/3100 (BMT65)

MODULO MOTORIZZATO ASSIALE MAGGIORATO H=95mm

Axial reinforced driven tool H=95mm

Axial angetriebenes Werkzeug vergroessert H=95mm

Subject to change without notice.

### M.T. srl

Via Casino Albini 480  
Tel. 0541/956034-957884  
Fax 0541/956341  
47842 S. GIOVANNI IN M. (RN)  
e-mail: mtma@mtmarchetti.com  
http://www.mtmarchetti.com



KIA170-3-25