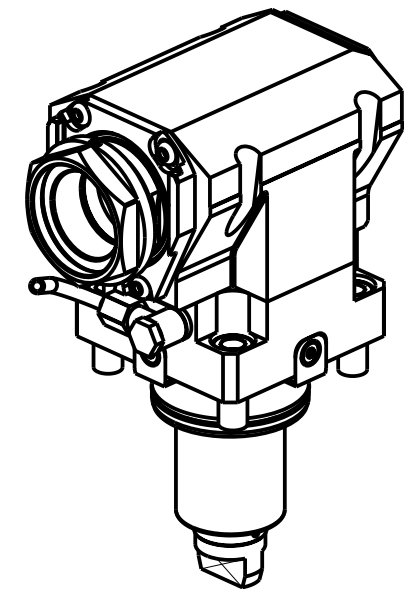


**CUSCINETTI MAGGIORATI
PER LAVORAZIONI PESANTI**

Reinforced bearings for heavy machining
Vergroesserte Lager fuer schwerere Bearbeitungen



PER PORTAUTENSILI MODULARI MTSK-50 VEDI PAG. TBL300-1-50
FOR MTSK-50 QUICK CHANGE TOOLHOLDERS CLAMPINGS SEE PAGE TBL300-1-50
FUER MTSK-50 MODULARE WERKZEUGAUFNAHMEN SIEHE SEITE TBL300-1-50

| Cod. MT | Mandrino Spindel Spindel | I (n1:n2) | RPM max n2 | Coppia Max Max Torque Max Drehmoment | Reversibile 180° 180° Reversible 180° umsetzbar | Lubrificazione int. Coolant through Innenkuehlung | Lubr.esterna Ext. coolant Aussenkuehlung | Lav. secco Dry-run Trocken Bearb. | B | CHIAVI NON INCLUSE Keys not included Schlüssel nicht einbegriffen | |
|-------------|--------------------------------|--------------|------------------|--|---|---|--|---|------|---|--------------|
| | | | | M2 (Nm) | | Pmax (bar) | CHUB55 | | | OKU0650004 • | |
| DW 02190150 | MTSK-50 | 1:1 | 6000 | 110 | X | - | X | X | 56.5 | CHUB55 | OKU0650004 • |
| DW 02190250 | MTSK-50 | 1:1 | 6000 | 110 | X | 100 (diag. 2) | X | X | 67.5 | CHUB55 | OKU0650004 • |

- Chiave inclusa
- Key included
- Schlüssel inbegriffen

HYUNDAI-WIA (KIA)
 SKT200TTM/TTMS/TTSY - LM2000TTM/TTMS/TTSY - L2000/2100/2600/3000Y/SY - L300M/LM/MS/LMS
 SKT250TTM/TTMS/TTSY - LM2500TTM/TTMS/TTSY - SKT250M/LM/MS - SKT300M/LM/MS - SKT-V3RM/LM - LV450RM/LM - HD2600/3100 (BMT65)
MODULO MOTORIZZATO ASSIALE MAGGIORATO MTSK H=85mm
 Axial MTSK reinforced driven tool H=85mm
 Axial MTSK angetriebenes Werkzeug vergroessert H=85mm

M.T. srl
 Via Casino Albini 480
 Tel. 0541/956034-957884
 Fax 0541/956341
 47842 S. GIOVANNI IN M. (RN)
 e-mail: mtma@mtmarchetti.com
 http://www.mtmarchetti.com



KIA170-3-20-K

Subject to change without notice.