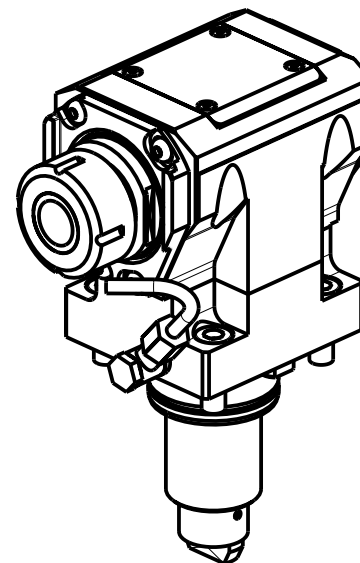
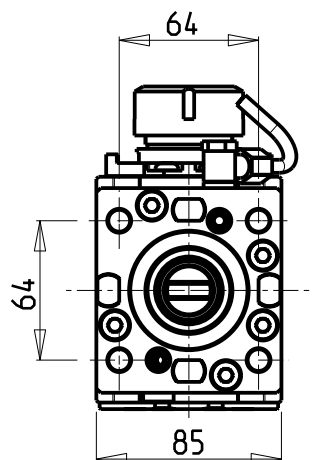
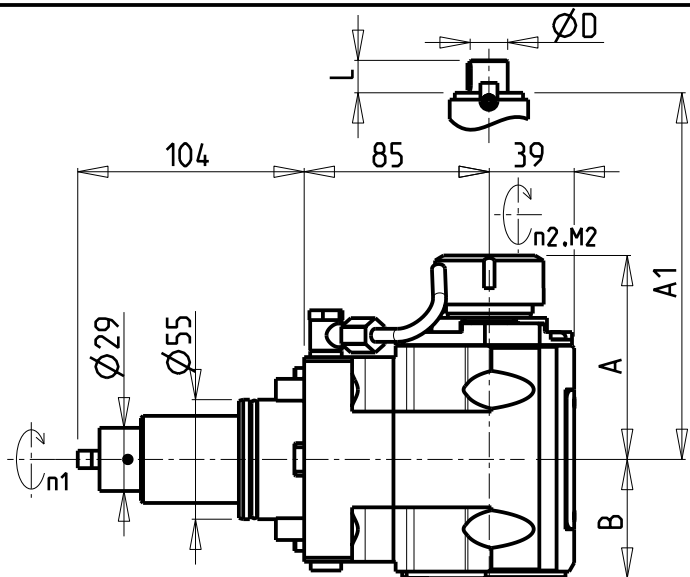


ATTENZIONE - ATTENTION - ACHTUNG

- VERIFICARE LE MISURE DI INGOMBRO PER POSSIBILE INTERFERENZA SU ALCUNI MODELLI DI MACCHINE
- Please check the overall sizes for possible interferences on some machine models
- Bitte überprüfen sie das ausmass um mögliche interferenzen auf einigen maschinen modellen zu vermeiden



- Chiave inclusa
- Key included
- Schluessel inbegriffen

Cod. MT	Mandrino Spindle Spindel	I (n1:n2)	RPM max n2	Coppia Max Max Torque Max Drehmoment M2 [Nm]	Reversibile 180° 180° Reversible 180° umsetzbar	Lubrificazione int. Coolant through Innenkuehlung Pmax [bar]	Lubr. esterna Ext. coolant Aussenkuehlung	Lav. secco Dry-run Trocken Bearb.	A	A1	B	D	L	CHIAVI NON INCLUDE Keys not included Schluessel nicht einbegriffen		
DW 00890125	ER25	1:1	6000	50	X	-	X	X	91.16	-	54.5	-	-	-	CHSTER25	OKU0650004 *
DW 00890225	ER25	1:1	6000	50	X	100 (diag. 2)	X	X	91.16	-	65.5	-	-	-	CHSTER25	OKU0650004 *
DW 00890132	ER32	1:1	6000	50	X	-	X	X	93.66	-	54.5	-	-	-	CHSTER32	OKU0650004 *
DW 00890232	ER32	1:1	6000	50	X	100 (diag. 2)	X	X	93.66	-	65.5	-	-	-	CHSTER32	OKU0650004 *
DW 00890140	ER40	1:1	6000	50	X	-	X	X	98.16	-	54.5	-	-	-	CHSTER40	OKU0650004 *
DW 00890240	ER40	1:1	6000	50	X	100 (diag. 2)	X	X	98.16	-	65.5	-	-	-	CHSTER40	OKU0650004 *
DW 00890325	ERA25	1:1	6000	50	X	-	X	X	65	-	54.5	-	-	CHUB27	CHTAER25ZC *	OKU0650004 *
DW 00890425	ERA25	1:1	6000	50	X	100 (diag. 2)	X	X	65	-	65.5	-	-	CHUB27	CHTAER25ZC *	OKU0650004 *
DW 00890516	Ø16x17	1:1	6000	50	X	-	X	X	-	67.5	54.5	16	17	-	CH_VTCROCE_M08 *	OKU0650004 *
DW 00890522	Ø22x19	1:1	6000	50	X	-	X	X	-	67.5	54.5	22	19	-	CH_VTCROCE_M10 *	OKU0650004 *
DW 00890527	Ø27x21	1:1	6000	50	X	-	X	X	-	70	54.5	27	21	-	CH_VTCROCE_M12 *	OKU0650004 *

HYUNDAI-WIA (KIA)

MOD: SKT160TTMS/TTSY - LM1600TTMS/TTSY - SKT180TTMS/TTSY - LM1800TTMS/TTSY - LM2200TTSY
L160/230LMSA - SE2600M/Y/SY - HD2200-2600M/Y/SY (BMT55)

MODULO MOTORIZZATO ASSIALE H=85mm

Axial driven tool H=85mm

Axial angetriebenes Werkzeug H=85mm

Subject to change without notice.

M.T. srl

Via Casino Albini 480
Tel. 0541/956034-957884
Fax 0541/956341
47842 S. GIOVANNI IN M. (RN)
e-mail: mtma@mtmarchetti.com
http://www.mtmarchetti.com



KIA150-2-31