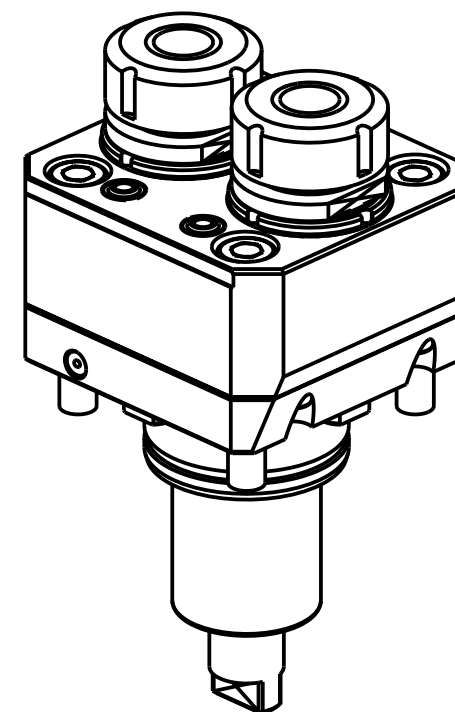
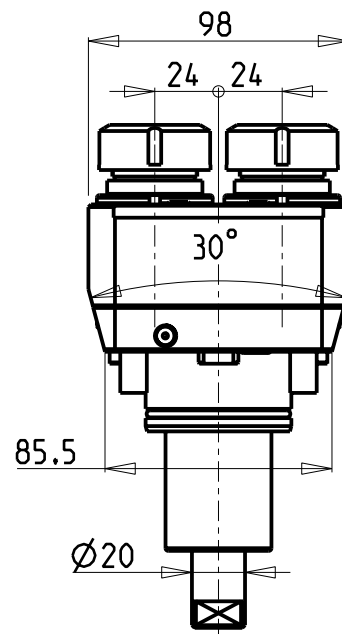
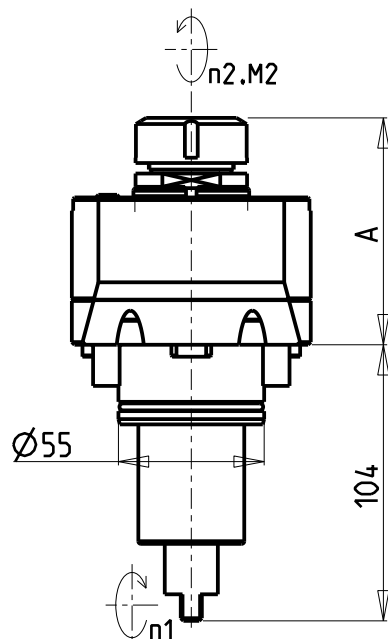
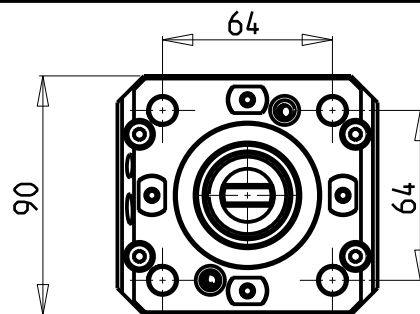


**ATTENZIONE - ATTENTION - ACHTUNG**

- Per lo smontaggio degli utensili utilizzare sempre la chiave di contrasto come indicato nel manuale d'uso.
- For disassembly of the tools use always the contrast key as mentioned in the user instructions.
- Fuer das Abmontieren der Werkzeuge immer den Gegenschlüssel benutzen wie in der Bedienungsanleitung erwahnt.



| Cod. MT   | Mandrino Spindle Spindel | I (n1:n2) | RPM max n2 | Coppia Max Max Torque Max Drehmoment M2 (Nm) | Lubrificazione est. Ext. coolant Aussekkuehlung | Lav. secco Dry-run Trocken Bearb. | A    | CHIAVI NON INCLUSE<br>Keys not included<br>Schlüssel nicht einbegriffen |            |
|-----------|--------------------------|-----------|------------|--|---|-----------------------------------|------|---|------------|
| 0730016X2 | ER16                     | 1:1       | 6000       | 30   | X   | X                                 | 84.5 | CHMNER16  | CHUB17     |
| 0730025X2 | ER25                     | 1:1       | 6000       | 30   | X   | X                                 | 85   | CHSTER25  | MNL0210007 |

HYUNDAI-W IA (KIA)

MOD: SKT160TTMS/TTSY - LM1600TTMS/TTSY - SKT180TTMS/TTSY - LM1800TTMS/TTSY - LM2200TTSYY  
SE2600Y/SY - HD2200-2600Y/SY (BMT55)

MODULO MOTORIZZATO RADIALE 2 USCITE IN Y  
Radial single side twin head driven tool in Y  
Radial angetriebenes Werkzeug 2 Ausgaenge in Y

Subject to change without notice.

**M.T. srl**

Via Casino Albini 480  
Tel. 0541/956034-957884  
Fax 0541/956341  
47842 S. GIOVANNI IN M. (RN)  
e-mail: mtma@mtmarchetti.com  
http://www.mtmarchetti.com



KIA080-2-00