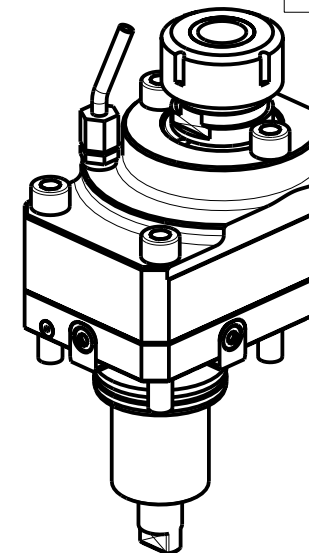
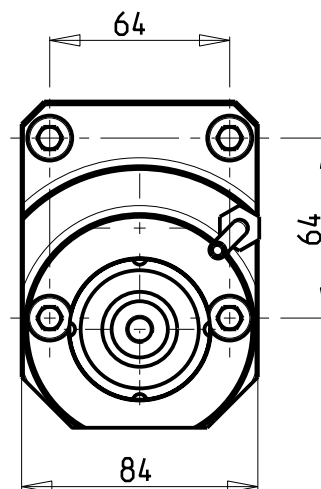
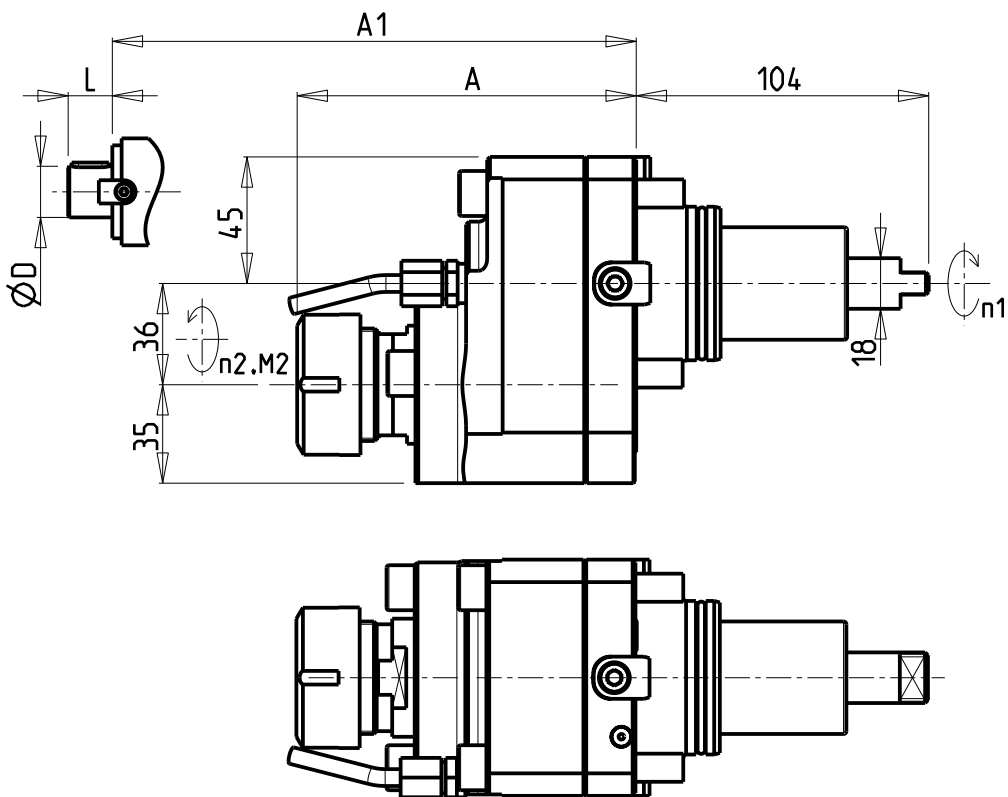


ATTENZIONE - ATTENTION - ACHTUNG

- VERIFICARE LE MISURE DI INGOMBRO PER POSSIBILE INTERFERENZA SU ALCUNI MODELLI DI MACCHINE
- Please check the overall sizes for possible interferences on some machine models
- Bitte überprüfen sie das ausmass um mögliche interferenzen auf einigen maschinen modellen zu vermeiden



| Cod. MT | Mandrino Spindle Spindel | I (n1:n2) | RPM max n2 | Coppia Max Max Torque Max Drehmoment M2 (Nm) | Reversibile 180° 180° Reversible 180° umsetzbar | Lubrificazione est. Ext. coolant Aussenkuehlung | Lav. secco Dry-run Trocken Bearb. | A | A1 | D | L | CHIAVI NON INCLUSE Keys not included Schlüssel nicht einbegriffen | |
|---------|--------------------------|-----------|------------|--|---|---|-----------------------------------|--------|------|----|----|---|------------|
| 0722132 | ER32 | 2:1 | 3000 | 65 | X | X | X | 120.56 | - | - | - | CHSTER32 | MNL0210007 |
| 0722116 | Ø16x17 | 2:1 | 3000 | 65 | X | X | X | - | 88.5 | 16 | 17 | CH_VTCROCE_M08 | MNL0210007 |
| 0722122 | Ø22x19 | 2:1 | 3000 | 65 | X | X | X | - | 90.5 | 22 | 19 | CH_VTCROCE_M10 | MNL0210007 |
| 0722127 | Ø27x21 | 2:1 | 3000 | 65 | X | X | X | - | 92.5 | 27 | 21 | CH_VTCROCE_M12 | MNL0210007 |

- Chiave inclusa
- Key included
- Schlüssel inbegriffen

HYUNDAI-WIA (KIA)

MOD: SKT160TTMS/TTSY - LM1600TTMS/TTSY - SKT180TTMS/TTSY - LM1800TTMS/TTSY - LM2200TTSY
L160/230LMSA - SE2600M/Y/SY - HD2200-2600M/Y/SY (BMT55)

MODULO MOTORIZZATO RADIALE RIDOTTO I=2:1 DISASSATO IN Z 36mm

Radial geared-down I=2:1 driven tool re-directed in Z by 36mm

Radial angetriebenes Werkzeug untersetzt I=2:1 achsversetzt in Z um 36mm

Subject to change without notice.

M.T. srl

Via Casino Albini 480
Tel. 0541/956034-957884
Fax 0541/956341
47842 S. GIOVANNI IN M. (RN)
e-mail: mtma@mtmarchetti.com
http://www.mtmarchetti.com



KIA030-2-20