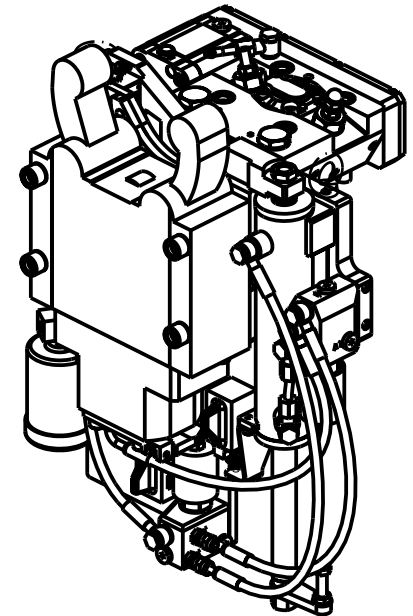
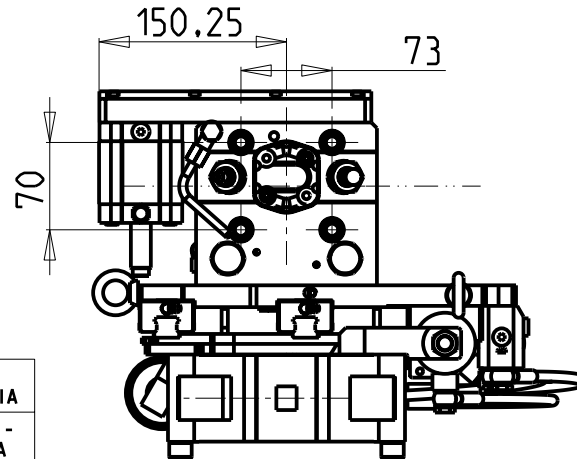


Ø310 MAX  
SUBSPINDLE



(( ))	#	CON GESTIONE ELETTRONICA APERTURA COMPLETA DELLA LUNETTA
	#	With Electronic control of steady rest arms complete opening
	#	Mit vollstaendiger elektronischer Oeffnungsbedienung der Luenette

Cod. MT	I	RPM max n1	Lubr.esterna Ext. coolant Aussenkuehlung
DW00940300	1:1	6000	X
# DW00940300EU	1:1	6000	X
# DW00940300US	1:1	6000	X

EUROPE - AFRICA - MIDDLE EAST - NORTH ASIA

USA - CANADA - MEXICO - AUSTRALIA - SOUTH ASIA

HW ACHEON

MOD: T2

MODULO MOTORIZZATO PER LUNETTA RETRATTILE (TAGLIA 2)

Driven toolholder for sliding steady rest (Size 2)

Luenettenwerkzeug zurueck versetzte Version (Grossse 2)

Subject to change without notice.

M.T. srl

Via Casino Albini 480  
Tel. 0541/956034-957884  
Fax 0541/956341

47842 S. GIOVANNI IN M. (RN)  
e-mail: mtma@tmarchetti.com  
http://www.tmmarchetti.com



HW C363-2-00

03/2026