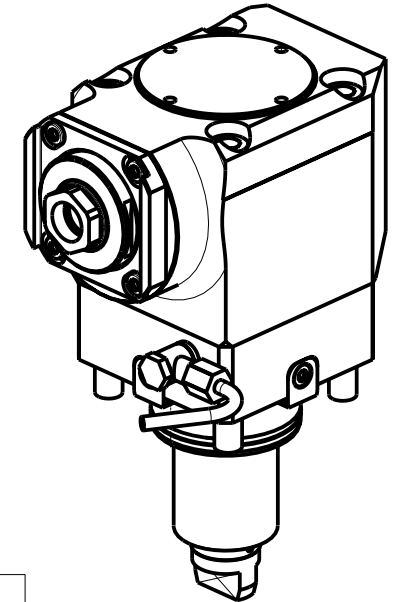
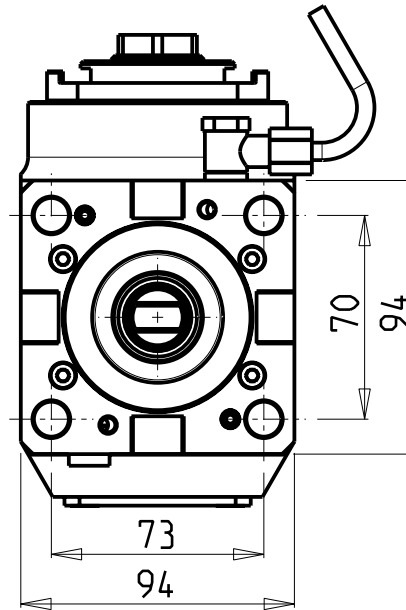
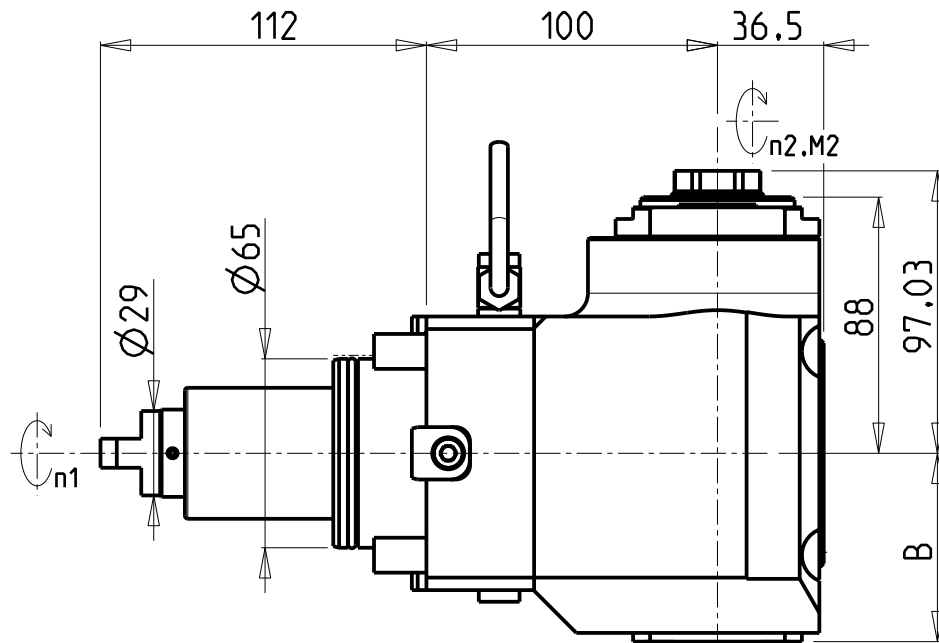


ATTENZIONE - ATTENTION - ACHTUNG

- VERIFICARE LE MISURE DI INGOMBRO PER POSSIBILE INTERFERENZA SU ALCUNI MODELLI DI MACCHINE
- Please check the overall sizes for possible interferences on some machine models
- Bitte überprüfen sie das ausmass um mögliche interferenzen auf einigen maschinen modellen zu vermeiden



- Chiave inclusa
- Key included
- Schluessel inbegriffen

Cod. MT	Mandrino Spindle Spindel	I (n1:n2)	RPM max n2	Coppia Max Max Torque Max Drehmoment M2 (Nm)	Reversibile 180° 180° Reversible 180° umsetzbar	Lubrificazione int. Coolant through Innenkuehlung Pmax (bar)	Lubrificazione est. Ext. coolant Aussenkuehlung	Lav. secco Dry-run Trocken Bearb.	B	CHIAVI NON INCLUSE Keys not included Schluessel nicht einbegriffen	
DW 00710125	ER A 25	1:2	12000	30	X	-	X	X	64.7	OKU0650004 •	C HUB27
DW 00710225	ER A 25	1:2	12000	30	X	100 (diag. 2)	X	X	73.2	OKU0650004 •	C HUB27

HW ACHEON
T2 - CUTEX 240
 MODULO MOTORIZZATO ASSIALE MOLTIPLICATO I=1:2 H=100mm
 Axial geared-up I=1:2 driven tool H=100mm
 Axial angetriebenes Werkzeug uebersetzt I=1:2 H=100mm

M.T. srl
 Via Casino Albini 480
 Tel. 0541/956034-957884
 Fax 0541/956341
 47842 S. GIOVANNI IN M. (RN)
 e-mail: mtma@mtmarchetti.com
 http://www.mtmarchetti.com



HW C 200-2-20

Subject to change without notice.