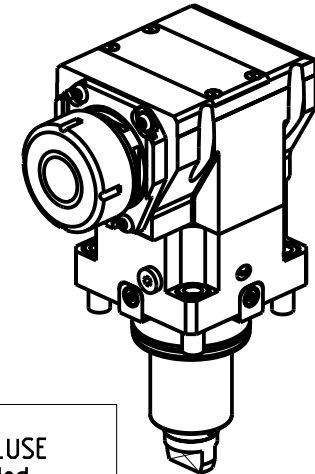
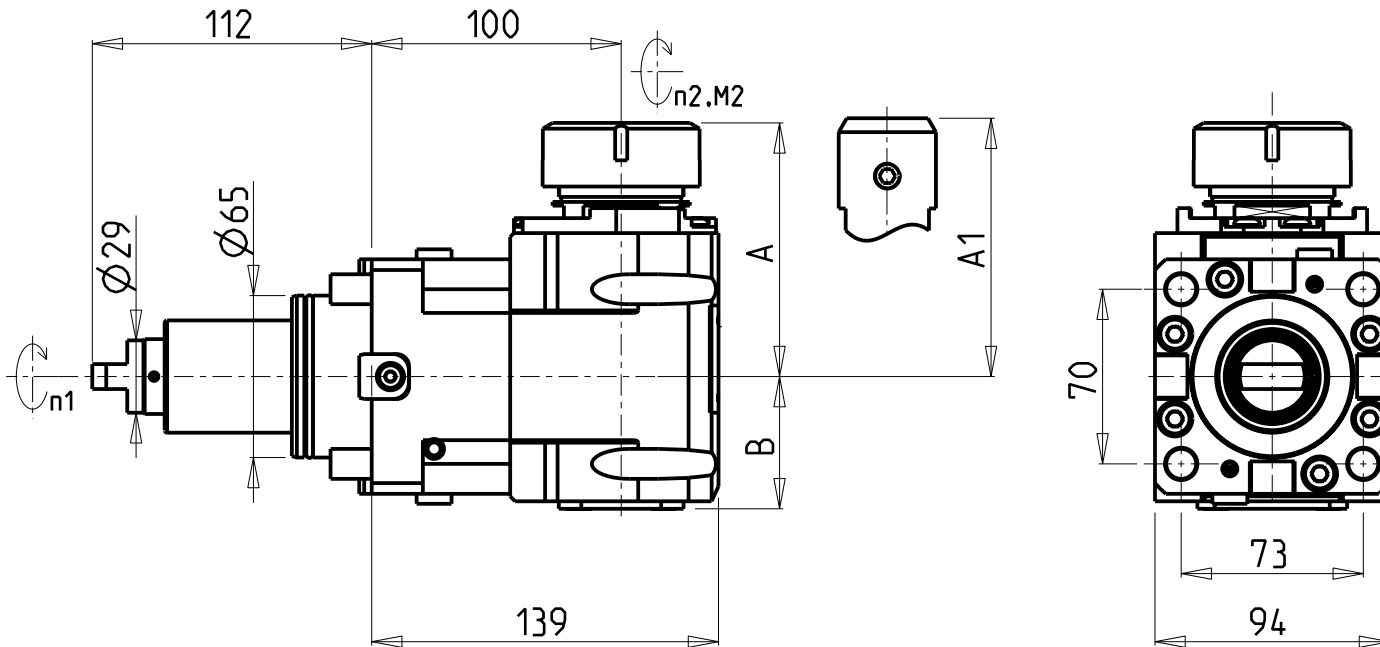


ATTENZIONE - ATTENTION - ACHTUNG

- VERIFICARE LE MISURE DI INGOMBRO PER POSSIBILE INTERFERENZA SU ALCUNI MODELLI DI MACCHINE
- Please check the overall sizes for possible interferences on some machine models
- Bitte überprüfen sie das ausmass um mögliche interferenzen auf einigen maschinen modellen zu vermeiden



- Chiave inclusa
- Key included
- Schlüssel inbegriffen

| Cod. MT | Mandrino Spindle Spindel | I (n1:n2) | RPM max n2 | Coppia Max Max Torque Max Drehmoment M2 (Nm) | Reversibile 180° 180° Reversible 180° umsetzbar | Lubrificazione int. Coolant through Innenkuehlung Pmax (bar) | Lubr.esterna Ext. coolant Aussenkuehlung | Lav. secco Dry-run Trocken Bearb. | A | A1 | B | CHIAVI NON INCLUDE Keys not included Schluessel nicht einbegriffen | |
|-------------|--------------------------|-----------|------------|--|---|--|--|-----------------------------------|-------|-----|------|--|----------|
| DW 02360132 | ER32 | 2:1 | 3000 | 130 | X | - | X | X | 98.7 | - | 53 | OKU0650004 | CHSTER32 |
| DW 02360232 | ER32 | 2:1 | 3000 | 130 | X | 70 | X | - | 98.7 | - | 66.5 | OKU0650004 | CHSTER32 |
| DW 02360140 | ER40 | 2:1 | 3000 | 130 | X | - | X | X | 101.7 | - | 53 | OKU0650004 | CHSTER40 |
| DW 02360240 | ER40 | 2:1 | 3000 | 130 | X | 70 | X | - | 101.7 | - | 66.5 | OKU0650004 | CHSTER40 |
| DW 02360725 | WELDON 25 | 2:1 | 3000 | 130 | X | - | X | X | - | 106 | 53 | - | - |
| DW 02360825 | WELDON 25 | 2:1 | 3000 | 130 | X | 70 | X | - | - | 106 | 66.5 | - | - |

HW ACHEON
T2 - CUTEX 240

MODULO MOTORIZZATO ASSIALE RIDOTTO I=2:1 H=100mm
Axial geared-down I=2:1 driven tool H=100mm
Axial angetriebenes Werkzeug untersetzt I=2:1 H=100mm

Subject to change without notice.

M.T. srl

Via Casino Albini 480
Tel. 0541/956034-957884
Fax 0541/956341
47842 S. GIOVANNI IN M. (RN)
e-mail: mtma@mtmarchetti.com
http://www.mtmarchetti.com



HW C 190-2-30