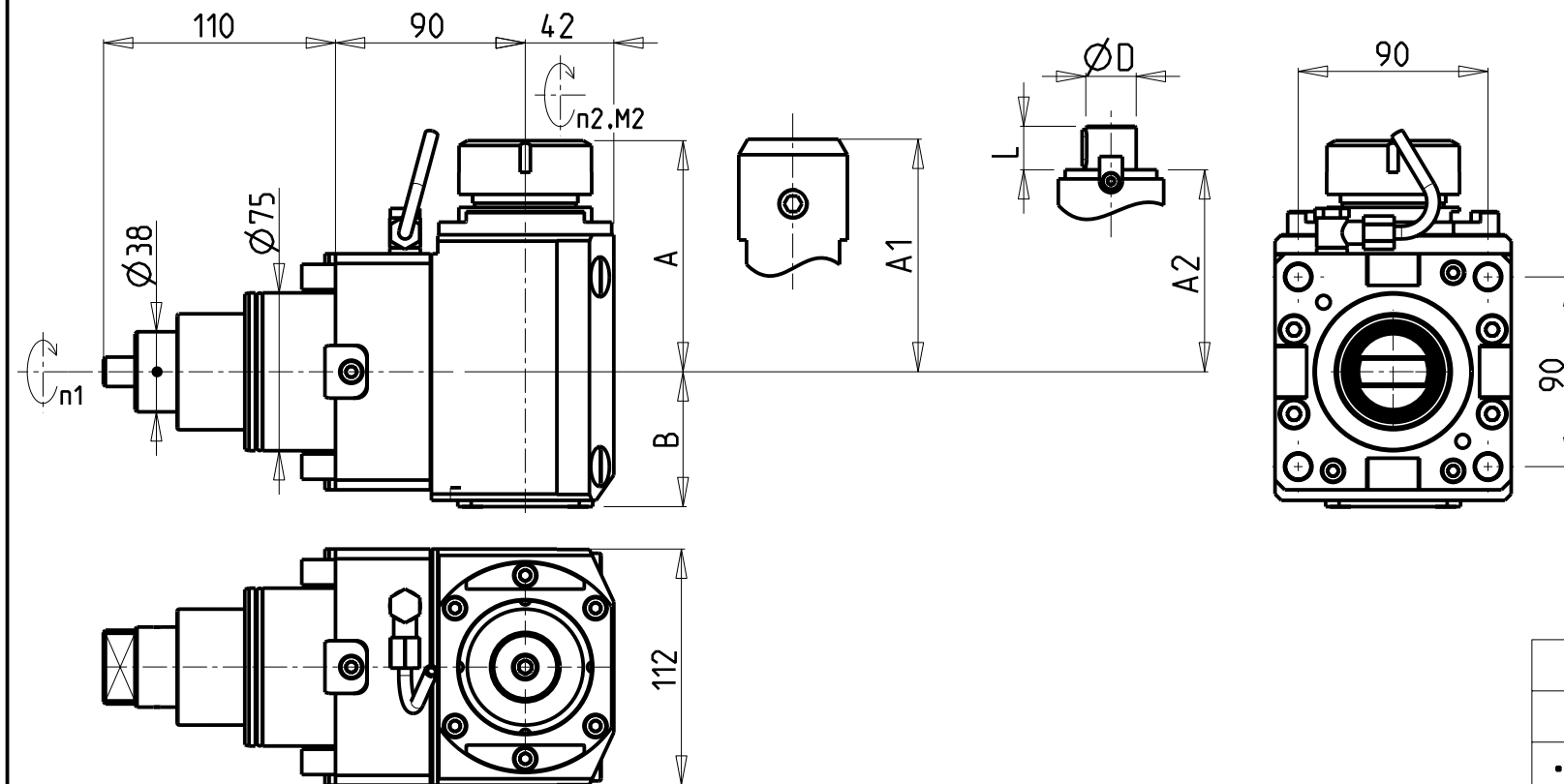


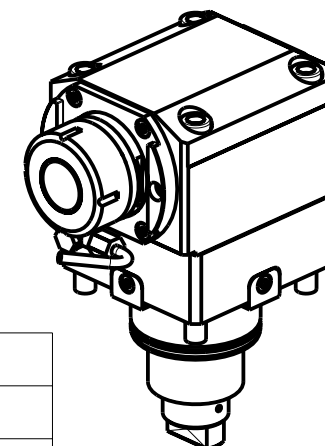
## CUSCINETTI MAGGIORATI PER LAVORAZIONI PESANTI

Reinforced bearings for  
heavy machining

Vergroesserte Lager fuer  
schwerere Bearbeitungen



- Chiave inclusa
- Key included
- Schlüssel inbegriffen



Cod. MT	Mandrino Spindle Spindel	I (n1:n2)	RPM max n2	Coppia Max Max Torque Max Drehmoment M2 [Nm]	Reversibile 180° 180° Reversible 180° umsetzbar	Lubrificazione int. Coolant through Innenkuehlung Pmax [bar]	Lubrificazione est. Ext. coolant Aussenkuehlung	Lav. secco Dry-run Trocken Bearb.	A	A1	A2	B	D	L	CHIAVI NON INCLUDE Keys not included Schlüssel nicht einbegriffen	
DW 00650140	ER40	1:1	6000	140	X	-	X	X	109.7	-	-	64	-	-	CHSTER40	OKU0430007 *
DW 00650240	ER40	1:1	6000	140	X	100 (diag. 2)	X	X	109.7	-	-	76.5	-	-	CHSTER40	OKU0430007 *
DW 00650725	WELDON 25	1:1	6000	140	X	-	X	X	-	109.5	-	64	-	-	-	-
DW 00650825	WELDON 25	1:1	6000	140	X	100 (diag. 2)	X	X	-	109.5	-	76.5	-	-	-	-
DW 00650522	Ø22x19	1:1	6000	140	X	-	X	X	-	-	89	64	22	19	CH_VTCROCE_M10 *	OKU0430007 *

HAAS  
MOD: ST40/45Y (BMT75)  
MODULO MOTORIZZATO ASSIALE MAGGIORATO H=90mm  
Axial reinforced driven tool H=90mm  
Axial angetriebenes Werkzeug vergroessert H=90mm

**M.T. srl**  
Via Casino Albini 480  
Tel. 0541/956034-957884  
Fax 0541/956341  
47842 S. GIOVANNI IN M. (RN)  
e-mail: mtma@mtmarchetti.com  
http://www.mtmarchetti.com



HAS170-6-20

Subject to change without notice.