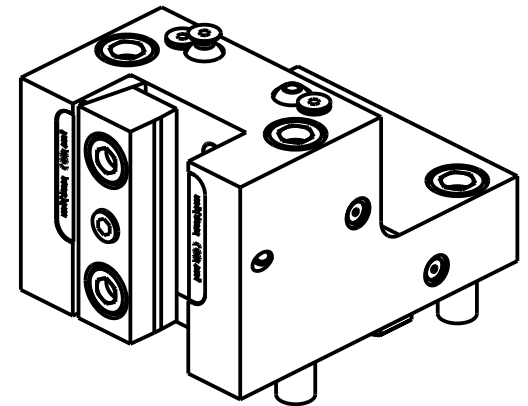
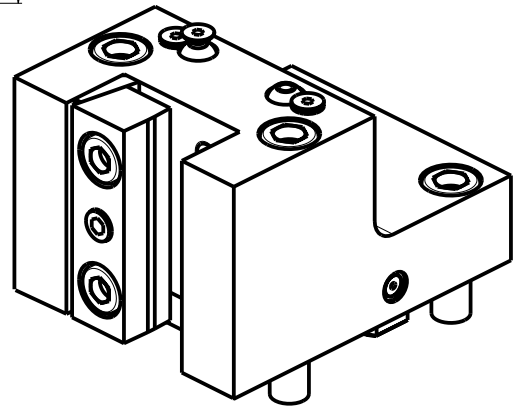


DW 01422510



| Cod. MT    | N°Utensili<br>N°Tools<br>N°Werkzeuge | Reversibile lato<br>mandrino/contromandrino<br>Reversible sub/main<br>spindle side<br>Umkehrbare Spindel-seite/<br>Gegenspindel-seite | Lubrificazione int.<br>Coolant through<br>Innenkuehlung<br>Pmax [bar] | Lubrificazione est.<br>Ext. coolant<br>Aussenkuehlung | Misure<br>Dimensions<br>Masse | L  | B  | H  |
|------------|--------------------------------------|---|---|---|-------------------------------|----|----|----|
| DW04282500 | 1                                    | X   | -   | X   | mm                            | 81 | 25 | 25 |
| DW04282540 | 1                                    | X   | -   | X   | Inch                          | 81 | 1" | 1" |
| DW01422510 | 1                                    | X   | 70  | X   | mm                            | 70 | 25 | 25 |

**GOODWAY**  
 MOD: GTX2000/2600 12ST. - GTZ2000/2600 12ST. - GS2000/2800/3300 16ST. - GMT2000 - GMS2000 15ST.  
 GLS2800/3300 12ST. - GTH2000/2600 12ST.

PORTAUTENSILE RADIALE SINGOLO QD=25mm / QD=1" H=75mm  
 Radial single static tool QD=25mm / QD=1" H=75mm  
 Radial Single-Werkzeughalter QD=25mm / QD=1" H=75mm

**M.T. srl**  
 Via Casino Albini 480  
 Tel. 0541/956034-957884  
 Fax 0541/956341  
 47842 S. GIOVANNI IN M. (RN)  
 e-mail: mtma@mtmarchetti.com  
 http://www.mtmarchetti.com



GDW 423-4-10

Subject to change without notice.

09/2025