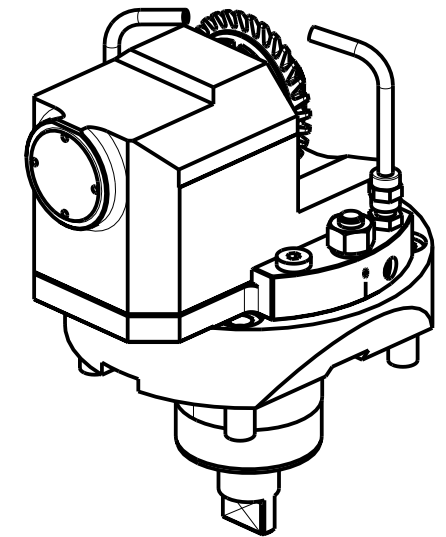


INCLINAZIONE
REGOLABILE $\pm 31^\circ$



Cod. MT	Mandrino Spindle Spindel	I (n1:n2)	RPM max n2	Coppia Max Max Torque Max Drehmoment M2 [Nm]	Lubrificazione est. Ext. coolant AusSENKuehlung	Lav. secco Dry-run Trocken Bearb.	ØD	H	CHIAVI INCLUSE Keys included Schlüssel einbegriffen			
GDW 0258022	Ø22x12	1:1	6000	50	X	X	63-70-80	MAX 12	CHUB38	CHUB17	CHESL10	CHESL08
GDW 0258125	Ø1" x 12	1:1	6000	50	X	X	63-70-80	MAX 12	CHUB38	CHUB17	CHESL10	CHESL08

GOODWAY

MOD: GS2000/2600/2800/3000/3300/3600/4000 12ST. - GMS2000 12ST.

MODULO MOTORIZZATO PER VITI SENZA FINE

Driven tool for worm screws

Angetriebenes Werkzeug fuer schrauben ohne ende

Subject to change without notice.

M.T. srl

Via Casino Albini 480
Tel. 0541/956034-957884
Fax 0541/956341
47842 S. GIOVANNI IN M. (RN)
e-mail: mtma@mtmarchetti.com
http://www.mtmarchetti.com



GDW 359-1-00

09/2025