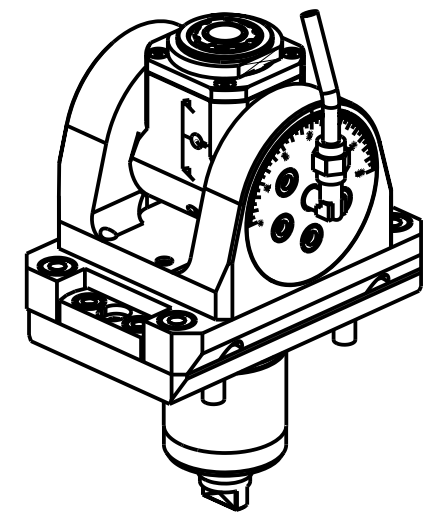
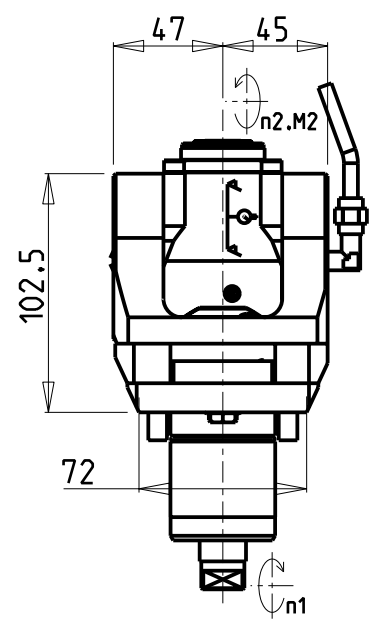
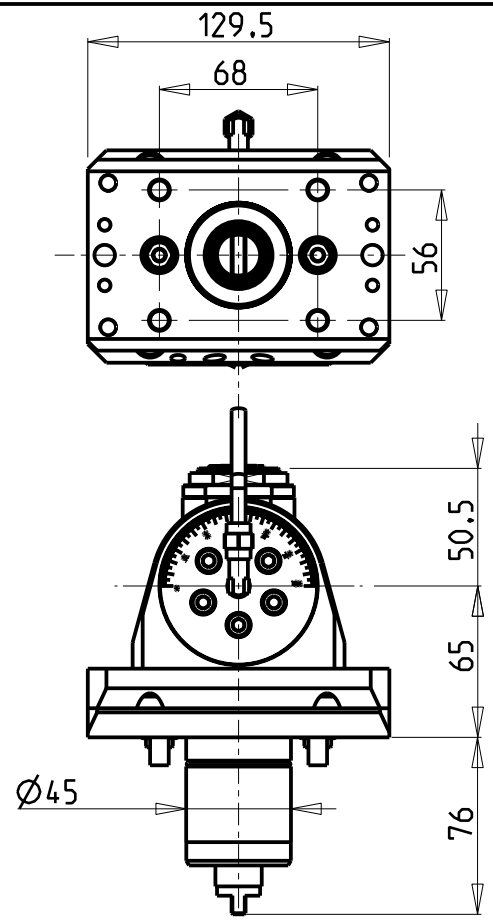


**ATTENZIONE - ATTENTION - ACHTUNG**

- Per lo smontaggio degli utensili utilizzare sempre la chiave di contrasto come indicato nel manuale d'uso.
- For disassembly of the tools use always the contrast key as mentioned in the user instructions.
- Fuer das Abmontieren der Werkzeuge immer den Gegenschlüssel benutzen wie in der Bedienungsanleitung erwaeht.



Cod. MT	Mandrino Spindle Spindel	I (n1:n2)	RPM max n2	Coppia Max Max Torque Max Drehmoment M2 (Nm)	Reversibile 180° 180° Reversible 180° umsetzbar	Lubrificazione int. Coolant through Innenkuehlung Pmax (bar)	Lubr.esterna Ext. coolant Aussenkuehlung	Lav. secco Dry-run Trocken Bearb.	CHIAVI INCLUSE Keys included Schluessel inbegriffen			
									CHUB36	CHUB22	CHESL06	CHTAER20ZC
MYA0080120	ERA20	1:1	6000	30	X	-	X	X	CHUB36	CHUB22	CHESL06	CHTAER20ZC
MYA0080220	ERA20	1:1	6000	30	X	70	X	-	CHUB36	CHUB22	CHESL06	CHTAER20ZC

**GOODWAY**  
 MOD: GLS-150/200M/Y - GLS-1500/2000LY/LYS - GTS-150MMX/XY - GTW-1500  
 MODULO MOTORIZZATO ORIENTABILE ±90°  
 ±90° adjustable angle driven tool  
 Angetriebenes Werkzeug schwenkbar ±90°

**M.T. srl**  
 Via Casino Albini 480  
 Tel. 0541/956034-957884  
 Fax 0541/956341  
 47842 S. GIOVANNI IN M. (RN)  
 e-mail: mtma@mtmarchetti.com  
 http://www.mtmarchetti.com



GDW 335-5-00

Subject to change without notice.