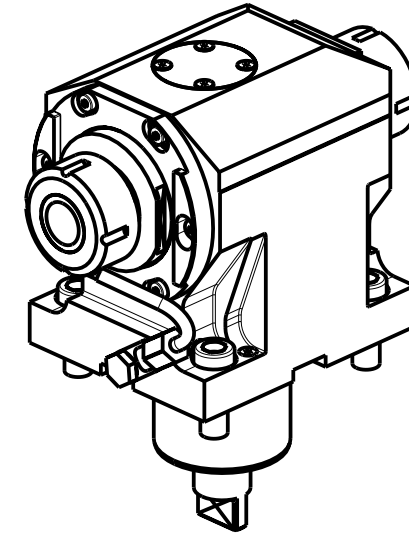
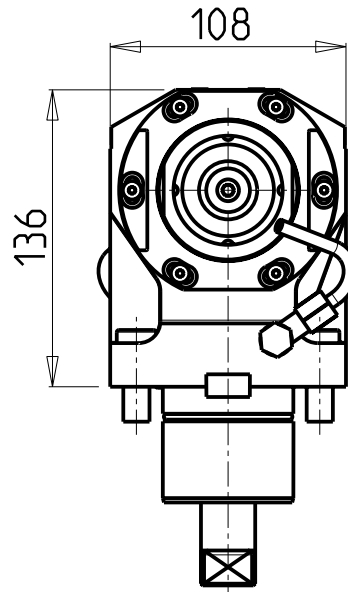
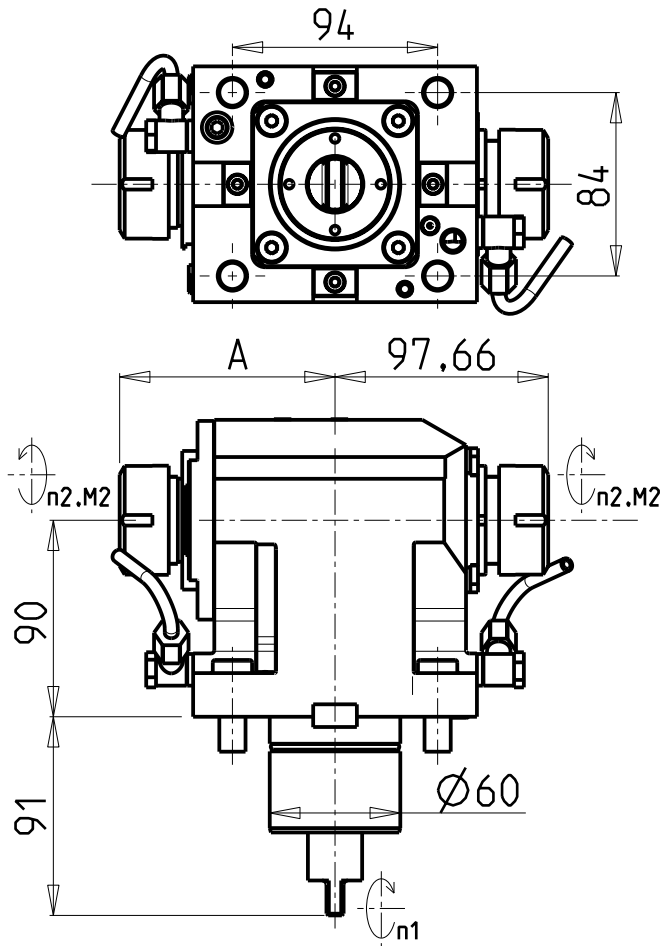


ATTENZIONE - ATTENTION - ACHTUNG

- Per lo smontaggio degli utensili utilizzare sempre la chiave di contrasto come indicato nel manuale d'uso.
- For disassembly of the tools use always the contrast key as mentioned in the user instructions.
- Fuer das Abmontieren der Werkzeuge immer den Gegenschlüssel benutzen wie in der Bedienungsanleitung erwaeht.



Cod. MT	Mandrino Spindle Spindel	I (n1:n2)	RPM max n2	Coppia Max Max Torque Max Drehmoment M2 (Nm)	Reversibile 180° 180° Reversible 180° umsetzbar	Lubr.esterna Ext. coolant Aussenkuehlung	Lav. secco Dry-run Trocken Bearb.	A	CHIAVI NON INCLUSE Keys not included Schlüssel nicht einbegriffen
GDW0480232	ER32+ER32	1:1	6000	100	X	X	X	98.7	OKU0430007 ▪ CHSTER32 -
GDW0480240	ER40+ER32	1:1	6000	100	X	X	X	101.7	OKU0430007 ▪ CHSTER32 CHSTER40

- Chiave inclusa
- Key included
- Schlüssel inbegriffen

GOODWAY
 MOD: GS2000/2600/2800/3000/3300/3600/4000 12ST. - GMS2000 12ST.
 MODULO MOTORIZZATO ASSIALE BISPORGENTE
 Axial opposite face twin driven tool
 Axial angetriebenes Werkzeug halb vorspringend

M.T. srl
 Via Casino Albini 480
 Tel. 0541/956034-957884
 Fax 0541/956341
 47842 S. GIOVANNI IN M. (RN)
 e-mail: mtma@mtmarchetti.com
 http://www.mtmarchetti.com



GDW 240-1-10

Subject to change without notice.