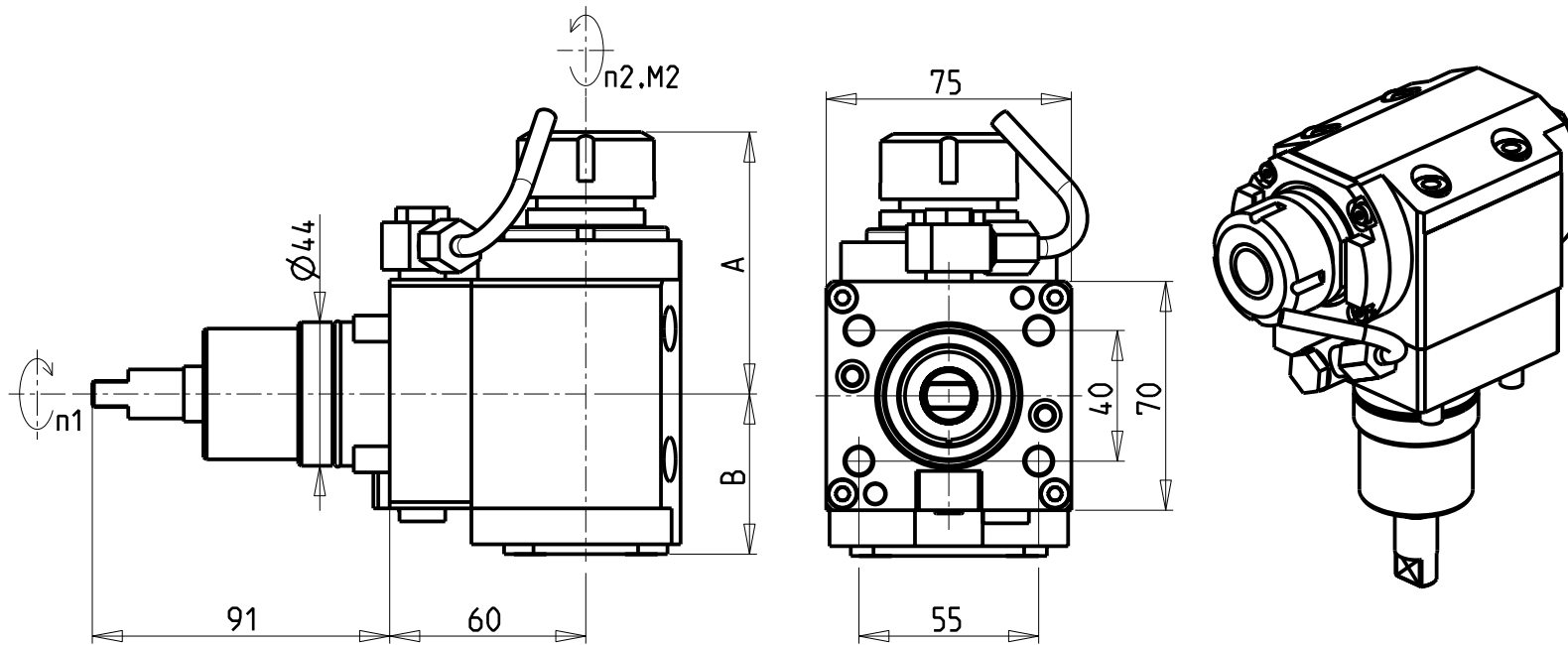


ATTENZIONE - ATTENTION - ACHTUNG

- Per lo smontaggio degli utensili utilizzare sempre la chiave di contrasto come indicato nel manuale d'uso.
- For disassembly of the tools use always the contrast key as mentioned in the user instructions.
- Fuer das Abmontieren der Werkzeuge immer den Gegenschlüssel benutzen wie in der Bedienungsanleitung erwäehnt.



- Chiave inclusa
- Key included
- Schlüssel inbegriffen

Cod. MT	Mandrino Spindle Spindel	I (n1:n2)	RPM max n2	Coppia Max Max Drehmoment M2 (Nm)	Reversibile lato mandrino/contromandrino Reversible sub/main spindle side Umkehrbare Spindel-seite/ Gegenspindel-seite	Lubrificazione int. Coolant through Innenkuehlung Pmax (bar)	Lubr. esterna Ext. coolant Aussenkuehlung	A	B	CHIAVI NON INCLUSE Keys not included Schlüssel nicht einbegriffen	
NKM2340125	ER25	1:1	12000	35	X	-	X	82.16	49	OKU0290009	CHSTER25
NKM2340225	ER25	1:1	12000	35	X	70	X	82.16	59	OKU0290009	CHSTER25
NKM2340520	ERA20	1:1	12000	35	X	-	X	69.23	49	OKU0290009	CHUB22
NKM2340620	ERA20	1:1	12000	35	X	70	X	69.23	59	OKU0290009	CHUB22

GOODWAY
MOD: GTZ-1500

MODULO MOTORIZZATO ASSIALE 12000 RPM H=60mm
Axial driven tool 12000 rpm H=60mm
Axial angetriebenes Werkzeug 12000 rpm H=60mm

M.T. srl
Via Casino Albini 480
Tel. 0541/956034-957884
Fax 0541/956341
47842 S. GIOVANNI IN M. (RN)
e-mail: mtma@mtmarchetti.com
http://www.mtmarchetti.com



GDW 150-6-11

Subject to change without notice.

09/2025