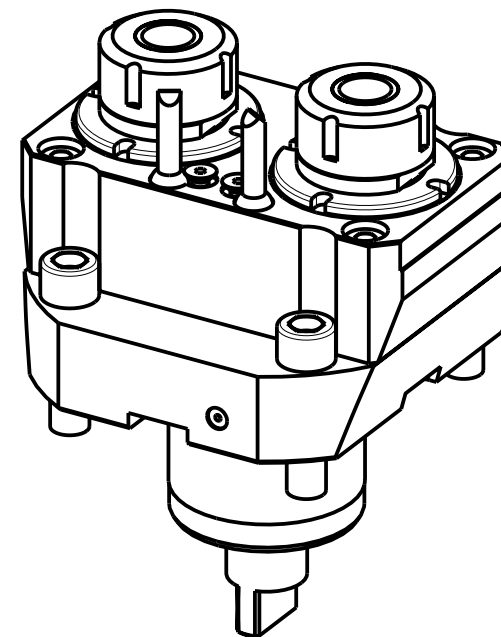
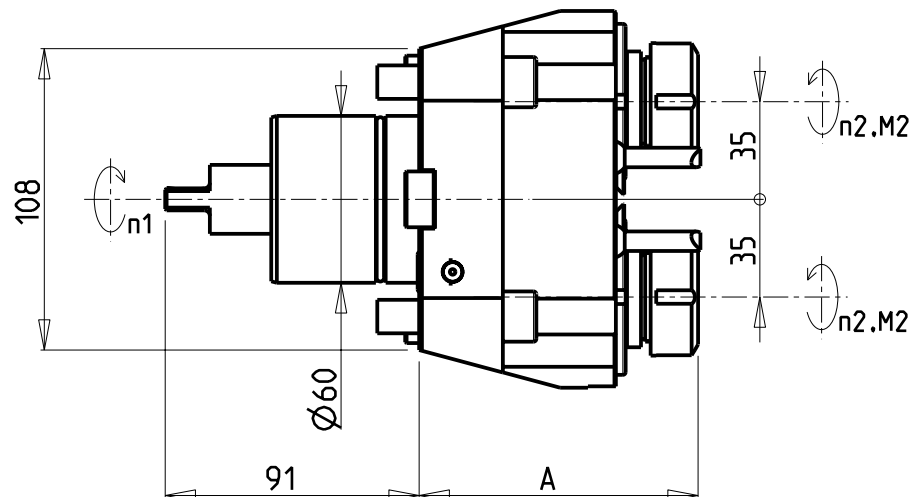
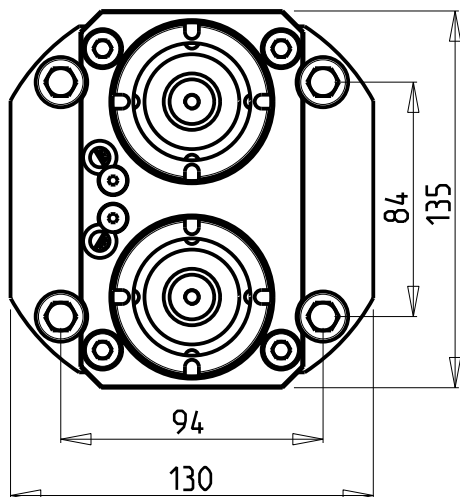


ATTENZIONE - ATTENTION - ACHTUNG

- Per lo smontaggio degli utensili utilizzare sempre la chiave di contrasto come indicato nel manuale d'uso.
- For disassembly of the tools use always the contrast key as mentioned in the user instructions.
- Fuer das Abmontieren der Werkzeuge immer den Gegenschlüssel benutzen wie in der Bedienungsanleitung erwaeht.



Cod. MT	Mandrino Spindel Spindel	I (n1:n2)	RPM max n2	Coppia Max Max Torque Max Drehmoment M2 (Nm)	Lubrificazione int. Coolant through Innenkuehlung Pmax (bar)	Lubrificazione est. Ext. coolant Aussenkuehlung	Lav. secco Dry-run Trocken Bearb.	A	CHIAVI NON INCLUSE Keys not included Schlüssel nicht einbegriffen		
GDW 0140225	ER25	1:1	6000	40	-	X	X	99.96	CHUB36	CHSTER25	-
GDW 0141225	ER25	1:1	6000	40	70	X	-	115.2	CHUB36	CHSTER25	-
GDW 0140325	ERA25	1:1	6000	40	-	X	X	88.5	CHUB38	CHUB27	CHTAER25ZC •
GDW 0141325	ERA25	1:1	6000	40	70	X	-	108.53	CHUB38	CHUB27	-

- Chiave inclusa
- Key included
- Schlüssel einbegriffen

GOODWAY

MOD: GS2000/2600/2800/3000/3300/3600/4000 12ST.

MODULO MOTORIZZATO RADIALE 2 USCITE IN Y
Radial single side twin head driven tool in Y
Radial angetriebenes Werkzeug 2 Ausgaenge in Y

Subject to change without notice.

M.T. srl

Via Casino Albini 480
Tel. 0541/956034-957884
Fax 0541/956341
47842 S. GIOVANNI IN M. (RN)
e-mail: mtma@mtmarchetti.com
http://www.mtmarchetti.com



GDW 080-1-00

09/2025