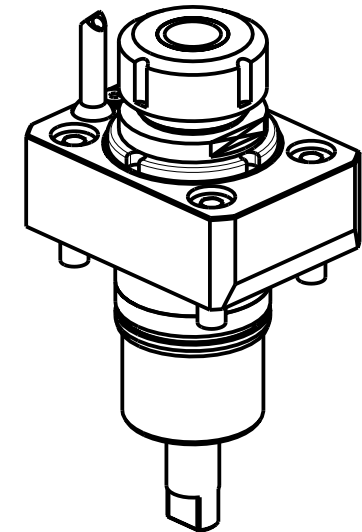
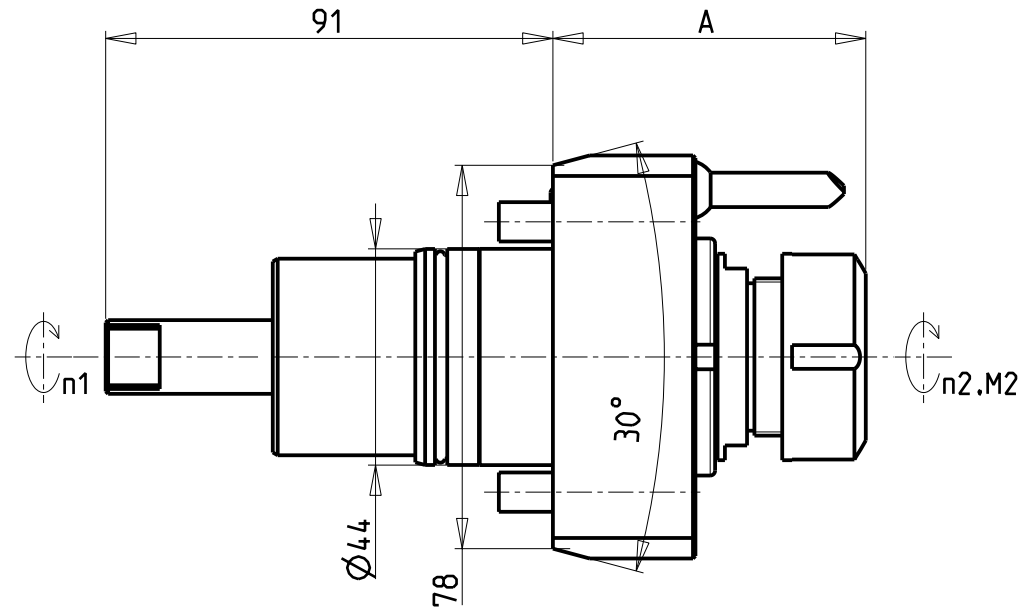
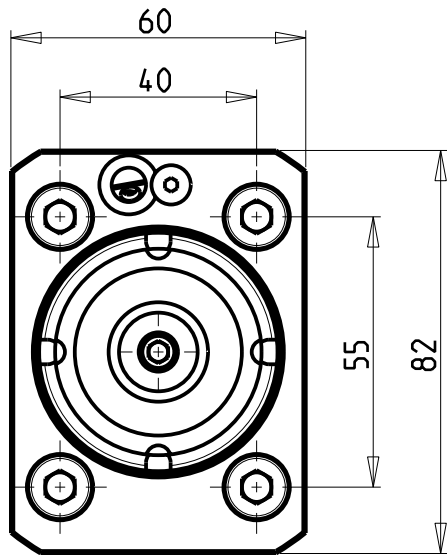


## CUSCINETTI MAGGIORATI PER LAVORAZIONI PESANTI

Reinforced bearings for  
heavy machining

Vergroesserte Lager fuer  
schwerere Bearbeitungen



Cod. MT	Mandrino Spindle Spindel	I (n1:n2)	RPM max n2	Coppia Max Max Torque Max Drehmoment	Lubrificazione int. Coolant through Innenkuehlung	Lubrificazione est. Ext. coolant Aussenkuehlung	Lav. secco Dry-run Trocken Bearb.	A	CHIAVI NON INCLUSE Keys not included Schluessel nicht einbegriffen	
				M2 (Nm)	Pmax (bar)					
NKM2330320	ERA20	1:1	12000	35	-	X	X	50.7	OKU0290009	CHUB22
NKM2330420	ERA20	1:1	12000	35	100 (diag. 1)	X	X	58	OKU0290009	CHUB22
NKM2330125	ER25	1:1	12000	35	-	X	X	62.7	OKU0290009	CHSTER25
NKM2330225	ER25	1:1	12000	35	100 (diag. 1)	X	X	69.7	OKU0290009	CHSTER25

- Chiave inclusa
- Key included
- Schluessel inbegriffen

GOODWAY  
MOD: GTZ-1500

MODULO MOTORIZZATO RADIALE MAGGIORATO 12000 RPM  
Radial reinforced driven tool 12000 rpm  
Radial angetriebenes Werkzeug vergroessert 12000 rpm

Subject to change without notice.

**M.T. srl**

Via Casino Albini 480  
Tel. 0541/956034-957884  
Fax 0541/956341  
47842 S. GIOVANNI IN M. (RN)  
e-mail: mtma@mtmarchetti.com  
http://www.mtmarchetti.com



GDW 020-6-01