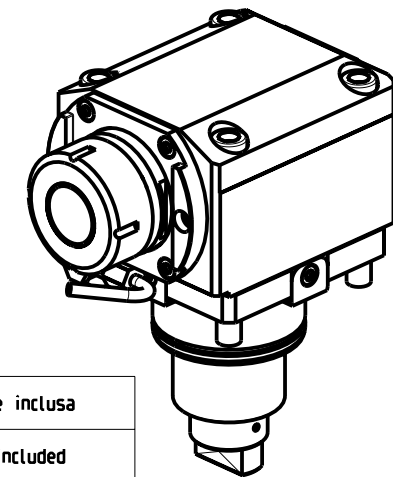


### CUSCINETTI MAGGIORATI PER LAVORAZIONI PESANTI

Reinforced bearings for  
heavy machining

Vergroesserte Lager fuer  
schwerere Bearbeitungen



- Chiave inclusa
- Key included
- Schluessel inbegriffen

Cod. MT	Mandrino Spindle Spindel	I (n1:n2)	RPM max n2	Coppia Max Max Torque Max Drehmoment M2 (Nm)	Lubrificazione int. Coolant through Innenkuehlung Pmax (bar)	Lubrificazione est. Ext. coolant Aussenkuehlung	Lav. secco Dry-run Trocken Bearb.	A	A1	A2	B	D	L	CHIAVI NON INCLUSE Keys not included Schluessel nicht einbegriffen	
EMG0210140	ER40	1:1	6000	140	-	X	X	109.7	-	-	64	-	-	CHSTER40	OKU0430007 *
EMG0210240	ER40	1:1	6000	140	100 (diag. 2)	X	X	109.7	-	-	76.5	-	-	CHSTER40	OKU0430007 *
EMG0210725	WELDON 25	1:1	6000	140	-	X	X	-	109.5	-	64	-	-	-	-
EMG0210825	WELDON 25	1:1	6000	140	100 (diag. 2)	X	X	-	109.5	-	76.5	-	-	-	-
EMG0210522	Ø22x19	1:1	6000	140	-	X	X	-	-	89	64	22	19	CH_VTCROCE_M10 *	OKU0430007 *

EMAG  
MOD: VL8 - VL10 - VLC500 - VM12 - VMC600 (BMT75)

MODULO MOTORIZZATO ASSIALE MAGGIORATO H=60mm  
Axial reinforced driven tool H=60mm  
Axial angetriebenes Werkzeug vergroessert H=60mm

Subject to change without notice.

**M.T. srl**  
Via Casino Albini 480  
Tel. 0541/956034-957884  
Fax 0541/956341  
47842 S. GIOVANNI IN M. (RN)  
e-mail: mtma@mtmarchetti.com  
http://www.mtmarchetti.com



EMG170-4-10