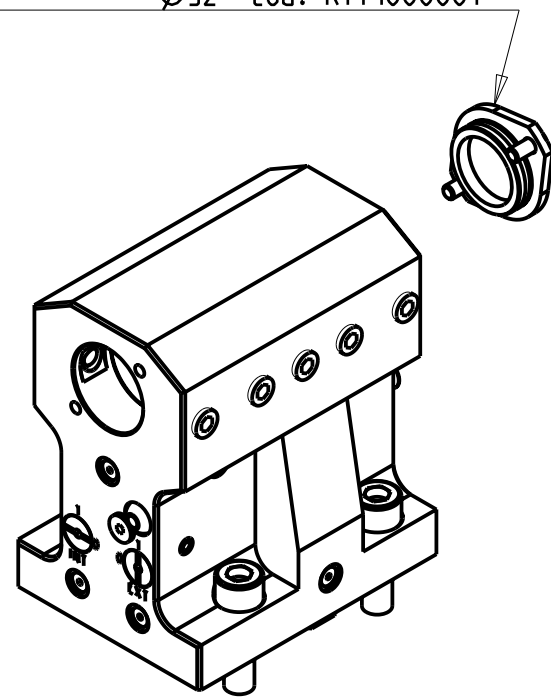


PER BOCCOLE DI RIDUZIONE VEDI PAG. TBL150-1-00  
 FOR REDUCING BUSHINGS SEE PAGE TBL150-1-00  
 FÜR REDUZIERBUCHSE SIEHE SEITE TBL150-1-00

KIT ADDUZIONE INTERNA (OPZIONALE)  
 KIT FOR INTERNAL COOLANT (OPTIONAL)  
 KIT FUER INTERNE KUEHLMITTELZUFUHR (OPTIONAL)  
 Ø32 cod. KIT1000001



| Cod. MT    | N°Utensili<br>N°Tools<br>N°Werkzeuge | Reversibile lato<br>mandrino/contromandrino<br>Reversible sub/main<br>spindle side<br>Umkehrbare Spindel-seite/<br>Gegenspindel-seite | Lubrificazione int.<br>opzionale<br>Coolant through<br>optional<br>Innenkuehlung<br>Optional | Lubrificazione est.<br>Ext. coolant<br>Aussenkuehlung | Misure<br>Dimensions<br>Masse | D  |
|------------|--------------------------------------|---|--|---|-------------------------------|----|
| DW00393200 | 1                                    | X   | X  | X   | mm                            | 32 |

EMCO  
 MOD: HYPERTURN 65 (BMT55) - MAXXTURN 65 M/MY/SM/SMY (BMT55) - MAXXTURN 95 (BMT55)

PORTAUTENSILE ASSIALE PER BARENO Ø32mm H=100mm  
 Axial single boring bar holder Ø32mm H=100mm  
 Axial Bohrhälter Ø32mm H=100mm

**M.T. srl**  
 Via Casino Albini 480  
 Tel. 0541/956034-957884  
 Fax 0541/956341  
 47842 S. GIOVANNI IN M. (RN)  
 e-mail: mtma@mtmarchetti.com  
 http://www.mtmarchetti.com



EMC 650-2-10

Subject to change without notice.