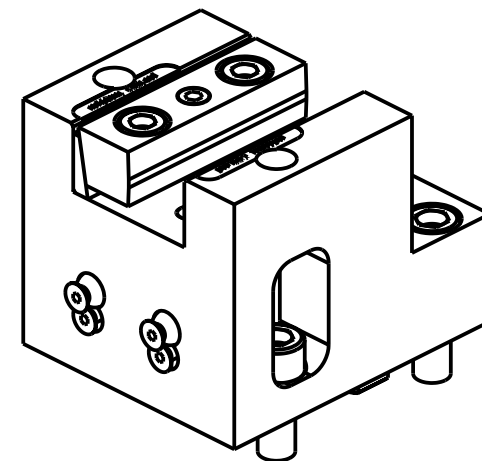
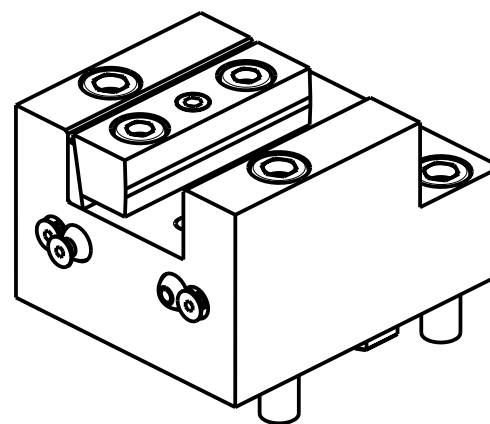


DW 03462510



Cod. MT	N°Utensili N°Tools N°Werkzeuge	Reversibile lato mandrino/contromandrino Reversible sub/main spindle side Umkehrbare Spindel-seite/ Gegenspindel-seite	Lubrificazione int. Coolant through Innenkuehlung Pmax [bar]	Lubrificazione est. Ext. coolant Aussenkuehlung	Misure Dimensions Masse	A	B	H
DW 01452540	1	X	-	X	Inch	68	1"	1"
DW 03462510	1	X	70	X	mm	90	25	25

EMCO

MOD: HYPERTURN 95-110 SMB/SM2Y (BMT65) - HYPERTURN 100 POWERMILL (BMT65) - MAXXTURN 110 (BMT65)

PORTAUTENSILE ASSIALE SINGOLO QD=25mm / QD=1"

Axial single static tool QD=25mm / QD=1"

Axial Single-Werkzeughalter QD=25mm / QD=1"

Subject to change without notice.

M.T. srl

Via Casino Albini 480
Tel. 0541/956034-957884
Fax 0541/956341

47842 S. GIOVANNI IN M. (RN)
e-mail: mtma@mtmarchetti.com
http://www.mtmarchetti.com



EMC 552-3-00