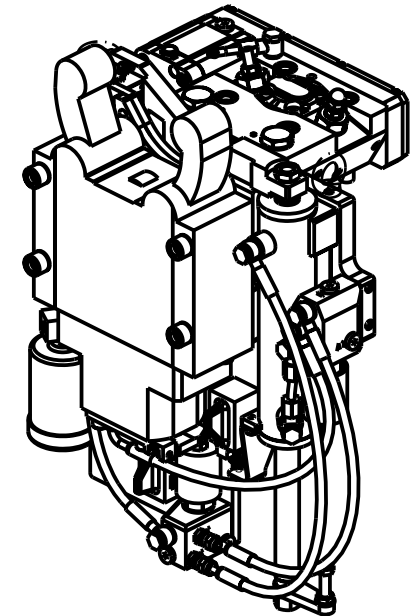
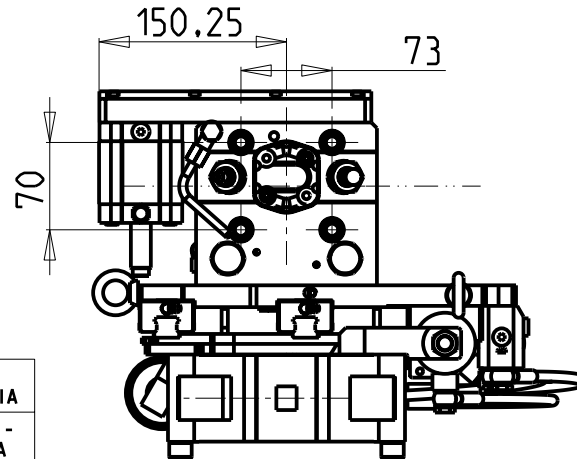


Ø310 MAX
SUBSPINDLE



(())	#	CON GESTIONE ELETTRONICA APERTURA COMPLETA DELLA LUNETTA
	#	With Electronic control of steady rest arms complete opening
	#	Mit vollstaendiger elektronischer Oeffnungsbedienung der Luenette

Cod. MT	I	RPM max n1	Lubr.esterna Ext. coolant Aussenkuehlung
DW00940300	1:1	6000	X
# DW00940300EU	1:1	6000	X
# DW00940300US	1:1	6000	X

EUROPE - AFRICA - MIDDLE EAST - NORTH ASIA
USA - CANADA - MEXICO - AUSTRALIA - SOUTH ASIA

DN SOLUTIONS (DOOSAN) BMT 65

MOD: TT2000SY-TT2500SY-TT2500MS - MX2000ST - MX2500LT/ST/LST - MX2600ST

MODULO MOTORIZZATO PER LUNETTA RETRATTILE (TAGLIA 2)

Driven toolholder for sliding steady rest (Size 2)

Luenettenwerkzeug zurueck versetzte Version (Groesse 2)

Subject to change without notice.

M.T. srl

Via Casino Albini 480
Tel. 0541/956034-957884
Fax 0541/956341
47842 S. GIOVANNI IN M. (RN)
e-mail: mtma@mtmarchetti.com
http://www.mtmarchetti.com



DW0363-3-00