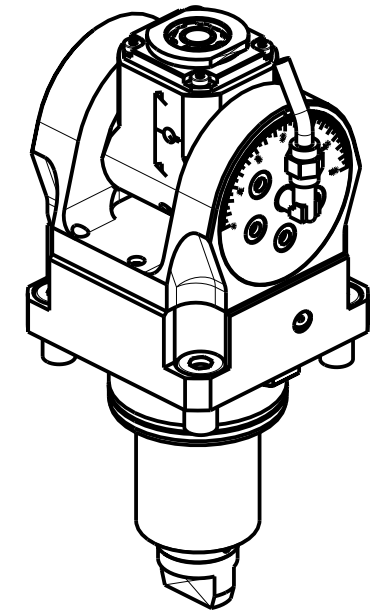


**ATTENZIONE - ATTENTION - ACHTUNG**

- Per lo smontaggio degli utensili utilizzare sempre la chiave di contrasto come indicato nel manuale d'uso.
- For disassembly of the tools use always the contrast key as mentioned in the user instructions.
- Fuer das Abmontieren der Werkzeuge immer den Gegenschlüssel benutzen wie in der Bedienungsanleitung erwaeht.



Cod. MT	Mandrino Spindle Spindel	I (n1:n2)	RPM max n2	Coppia Max Max Torque Max Drehmoment M2 (Nm)	Reversibile 180° 180° Reversible 180° umsetzbar	Lubrificazione int. Coolant through Innenkuehlung Pmax (bar)	Lubr.esterna Ext. coolant Aussenkuehlung	Lav. secco Dry-run Trocken Bearb.	CHIAVI INCLUDE Keys included Schluessel inbegriffen			
DW01940316	ERA16	1:2	12000	8	X	-	X	X	CHUB19_SP3	CHUB32	CHTAER16ZC	CHESL08
DW01940416	ERA16	1:2	12000	8	X	70	X	-	CHUB19_SP3	CHUB32	CHTAER16ZC	CHESL08

**DN SOLUTIONS (DOOSAN) BMT 65**  
 MOD: PUMA 300M/MS - TT2000SY-TT2500SY-TT2500MS - PUMA 2100-2600M/MS/Y/SY (BMT65) - PUMA 3100 M/Y  
 PUMA INVERTURN 3000M - MX2000ST - MX2500LT/ST/LST - MX2600T-ST - PUMA GT3100 M - SMX2600/3100ST - PUMA DNT2100-2600M (BMT65)  
 MODULO MOTORIZZATO ORIENTABILE ±90° MOLTIPLICATO I=1:2 H=72mm  
 ±90° adjustable angle driven tool geared-up I=1:2 H=72mm  
 Angetriebenes Werkzeug schwenkbar ±90° uebersetzt I=1:2 H=72mm

**M.T. srl**  
 Via Casino Albini 480  
 Tel. 0541/956034-957884  
 Fax 0541/956341  
 47842 S. GIOVANNI IN M. (RN)  
 e-mail: mtma@mtmarchetti.com  
 http://www.mtmarchetti.com

**M.T.**

DW 0336-3-00

Subject to change without notice.