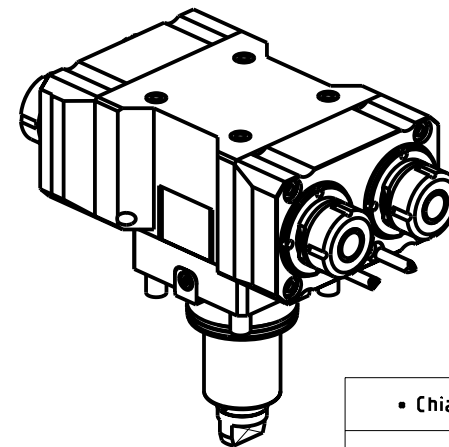
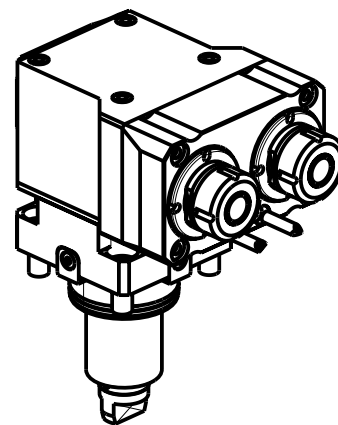


**ATTENZIONE - ATTENTION - ACHTUNG**

- VERIFICARE LE MISURE DI INGOMBRO PER POSSIBILE INTERFERENZA SU ALCUNI MODELLI DI MACCHINE
- Please check the overall sizes for possible interferences on some machine models
- Bitte überprüfen sie das ausmass um mögliche interferenzen auf einigen maschinen modellen zu vermeiden

**ATTENZIONE - ATTENTION - ACHTUNG**

- Per lo smontaggio degli utensili utilizzare sempre la chiave di contrasto come indicato nel manuale d'uso.
- For disassembly of the tools use always the contrast key as mentioned in the user instructions.
- Fuer das Abmontieren der Werkzeuge immer den Gegenschlüssel benutzen wie in der Bedienungsanleitung erwähnt.



- Chiave inclusa
- Key included
- Schlüssel inbegriffen

Cod. MT	Mandrino Spindle Spindel	I (n1:n2)	RPM max n2	Coppia Max Max Torque Max Drehmoment M2 (Nm)	N°Utensili N°Tools N°Werkzeuge	Reversibile 180° 180° Reversible 180° umsetzbar	Lubrificazione int. Coolant through Innenkuehlung Pmax (bar)	Lubr.esterna Ext. coolant Aussenkuehlung	Lav. secco Dry-run Trocken Bearb.	A	B	CHIAVI NON INCLUDE Keys not included Schlüssel nicht einbegriffen		
												CHUB36	CHSTER25	-
DW 01120225	ER25	1:1	6000	40	2	X	-	X	X	130.46	60	CHUB36	CHSTER25	-
DW 01121225	ER25	1:1	6000	40	2	X	70	X	-	150.16	60	CHUB36	CHSTER25	-
DW 01120325	ERA25	1:1	6000	40	2	X	-	X	X	119	60	CHUB38	CHUB27	CHTAER25ZC •
DW 01121325	ERA25	1:1	6000	40	2	X	70	X	-	142	60	CHUB38	CHUB27	-
DW 01122225	ER25+ER25	1:1	6000	40	2+2	X	-	X	X	130.46	125.46	CHUB36	CHSTER25	-
DW 01122325	ERA25+ERA25	1:1	6000	40	2+2	X	-	X	X	119	114	CHUB38	CHUB27	CHTAER25ZC •

DN SOLUTIONS (DOOSAN) BMT 65

MOD: PUMA 2100-2600M/MS/Y/SY (BMT65) - PUMA 3100 M/Y

MODULO MOTORIZZATO ASSIALE 2 USCITE IN Y H=72mm

Axial single side twin head driven tool in Y H=72mm

Axial angetriebenes Werkzeug 2 Ausgaenge in Y H=72mm

Subject to change without notice.

**M.T. srl**

Via Casino Albini 480  
Tel. 0541/956034-957884  
Fax 0541/956341

47842 S. GIOVANNI IN M. (RN)  
e-mail: mtma@mtmarchetti.com  
http://www.mtmarchetti.com



DW 0260-3-10