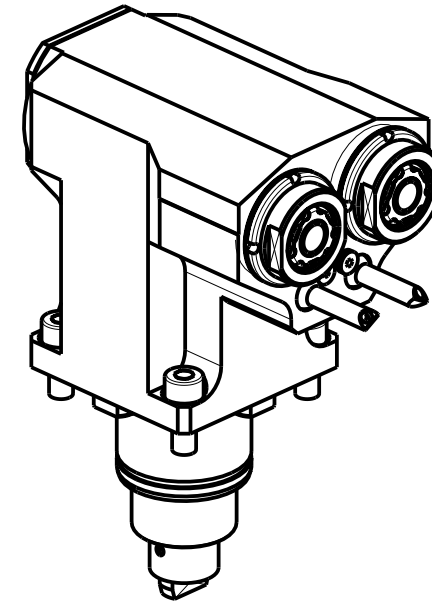
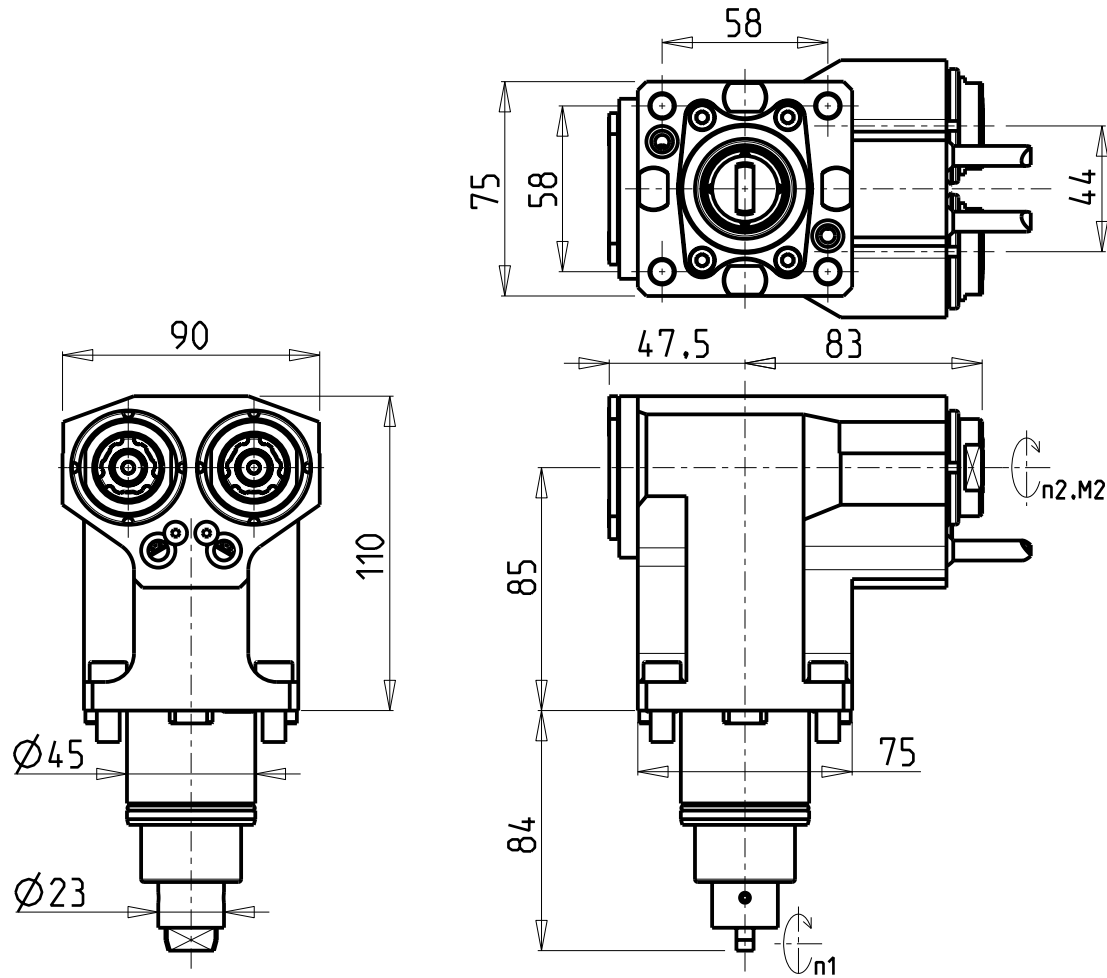


### ATTENZIONE - ATTENTION - ACHTUNG

- Per lo smontaggio degli utensili utilizzare sempre la chiave di contrasto come indicato nel manuale d'uso.
- For disassembly of the tools use always the contrast key as mentioned in the user instructions.
- Fuer das Abmontieren der Werkzeuge immer den Gegenschlüssel benutzen wie in der Bedienungsanleitung erwäehnt.



Cod. MT	Mandrino Spindle Spindel	I (n1:n2)	RPM max n2	Coppia Max Max Torque Max Drehmoment M2 (Nm)	Reversibile 180° 180° Reversible 180° umsetzbar	Lubr.esterna Ext. coolant Aussenkuehlung	Lav. secco Dry-run Trocken Bearb.	CHIAVI NON INCLUDE Keys not included Schlüssel nicht einbegriffen		
DW01470216	ERA16	1:1	6000	30	X	X	X	CHUB19_SP3	CHUB30	CHTAER16ZC *

- Chiave inclusa
- Key included
- Schlüssel inbegriffen

DN SOLUTIONS (DOOSAN) BMT 45  
 MOD: LYNX 220 LY/LSY - LYNX 2100 LY/LSY - LYNX 2105LY - PUMA MX1600 16ST.

MODULO MOTORIZZATO ASSIALE 2 USCITE IN Y  
 Axial single side twin head driven tool in Y  
 Axial angetriebenes Werkzeug 2 Ausgaenge in Y

Subject to change without notice.

**M.T. srl**  
 Via Casino Albini 480  
 Tel. 0541/956034-957884  
 Fax 0541/956341  
 47842 S. GIOVANNI IN M. (RN)  
 e-mail: mtma@mtmarchetti.com  
 http://www.mtmarchetti.com



DW 0260-1-10