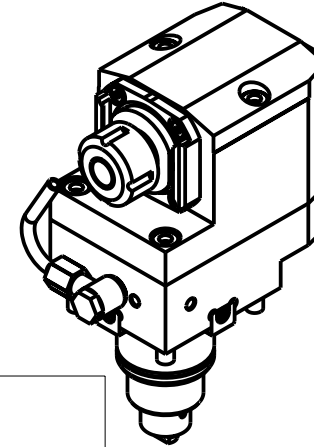


ATTENZIONE - ATTENTION - ACHTUNG

- VERIFICARE LE MISURE DI INGOMBRO PER POSSIBILE INTERFERENZA SU ALCUNI MODELLI DI MACCHINE
- Please check the overall sizes for possible interferences on some machine models
- Bitte überprüfen sie das ausmass um mögliche interferenzen auf einigen maschinen modellen zu vermeiden



- Chiave inclusa
- Key included
- Schlüssel inbegriffen

CHIAVI NON INCLUSE
Keys not included
Schlüssel nicht einbegriffen

Cod. MT	Mandrino Spindle Spindel	I (n1:n2)	RPM max n2	Coppia Max Max Drehmoment M2 (Nm)	Reversibile 180° 180° Reversible 180° umsetzbar	Lubrificazione int. Coolant through Innenkuehlung Pmax (bar)	Lubr.esterna Ext. coolant Aussenkuehlung	Lav. secco Dry-run Trocken Bearb.	A	B	CHIAVI NON INCLUSE Keys not included Schlüssel nicht einbegriffen	
DW 02310120	ER20	1:1	6000	35	X	-	X	X	41.16	73.5	-	CHSTER20 OKU0290009 *
DW 02310220	ER20	1:1	6000	35	X	100 (diag. 2)	X	X	41.16	83.5	-	CHSTER20 OKU0290009 *
DW 02310320	ERA20	1:1	6000	35	X	-	X	X	24.5	73.5	CHUB22	CHTAER20ZC * OKU0290009 *
DW 02310420	ERA20	1:1	6000	35	X	100 (diag. 2)	X	X	24.5	83.5	CHUB22	CHTAER20ZC * OKU0290009 *
DW 02310125	ER25	1:1	6000	35	X	-	X	X	42.16	73.5	-	CHSTER25 OKU0290009 *
DW 02310225	ER25	1:1	6000	35	X	100 (diag. 2)	X	X	42.16	83.5	-	CHSTER25 OKU0290009 *
DW 02310325	ERA25	1:1	6000	35	X	-	X	X	28.5	73.5	CHUB27	CHTAER25ZC * OKU0290009 *
DW 02310425	ERA25	1:1	6000	35	X	100 (diag. 2)	X	X	28.5	83.5	CHUB27	CHTAER25ZC * OKU0290009 *

DN SOLUTIONS (DOOSAN) BMT 45

MOD: LYNX 220 LMS/LY/LSY - LYNX 2100 M/LM/LMS/LY/LSY - LYNX 2105LY - PUMA MX1600 16ST.

MODULO MOTORIZZATO ASSIALE ARRETRATO H=85mm

Axial rear-set driven tool H=85mm

Axial angetriebenes Werkzeug zurueckversetzt H=85mm

Subject to change without notice.

M.T. srl

Via Casino Albini 480
Tel. 0541/956034-957884
Fax 0541/956341
47842 S. GIOVANNI IN M. (RN)
e-mail: mtma@mtmarchetti.com
http://www.mtmarchetti.com



DW 0180-1-10

09/2025