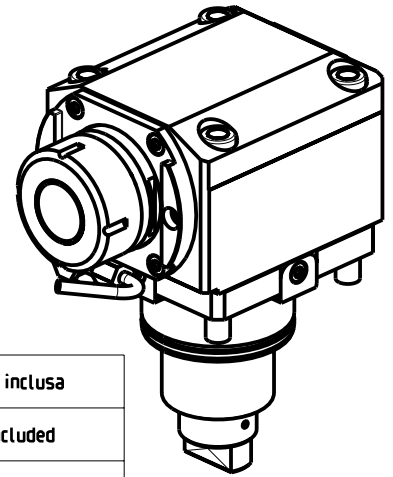


**CUSCINETTI MAGGIORATI
PER LAVORAZIONI PESANTI**

Reinforced bearings for heavy machining
Vergroesserte Lager fuer schwerere Bearbeitungen



ATTENZIONE: Non si monta su macchina V8300M
WARNING: This tool can not be mounted on V8300M
ACHTUNG: Werkzeug darf nicht auf V8300M montiert werden

- Chiave inclusa
- Key included
- Schlüssel inbegriffen

Cod. MT	Mandrino Spindle Spindel	I (n1:n2)	RPM max n2	Coppia Max Max Torque Max Drehmoment M2 (Nm)	Reversibile 180° 180° Reversible 180° umsetzbar	Lubrificazione int. Coolant through Innenkuehlung Pmax (bar)	Lubrificazione est. Ext. coolant Aussenkuehlung	Lav. secco Dry-run Trocken Bearb.	A	A1	A2	B	D	L	CHIAVI NON INCLUDE Keys not included Schluessel nicht einbegriffen
DW 00680140	ER40	1:1	6000	140	X	-	X	X	109.7	-	-	64	-	-	CHSTER40 OKU0430007 •
# DW 00680240	ER40	1:1	6000	140	X	100 (diag. 2)	X	X	109.7	-	-	76.5	-	-	CHSTER40 OKU0430007 •
DW 00680725	WELDON 25	1:1	6000	140	X	-	X	X	-	109.5	-	64	-	-	- -
# DW 00680825	WELDON 25	1:1	6000	140	X	100 (diag. 2)	X	X	-	109.5	-	76.5	-	-	- -
DW 00680522	Ø22x19	1:1	6000	140	X	-	X	X	-	-	89	64	22	19	CH_VTCROCE_M10 • OKU0430007 •

DN SOLUTIONS (DOOSAN) BMT 75
MOD: PUMA 400 - PUMA 480M/LM/XLM - PUMA 4100M - PUMA 5100M/Y - V550M - V8300M
MODULO MOTORIZZATO ASSIALE MAGGIORATO H=60mm
Axial reinforced driven tool H=60mm
Axial angetriebenes Werkzeug vergroessert H=60mm

M.T. srl
Via Casino Albini 480
Tel. 0541/956034-957884
Fax 0541/956341
47842 S. GIOVANNI IN M. (RN)
e-mail: mtma@mtmarchetti.com
http://www.mtmarchetti.com



DW 0170-4-10

Subject to change without notice.