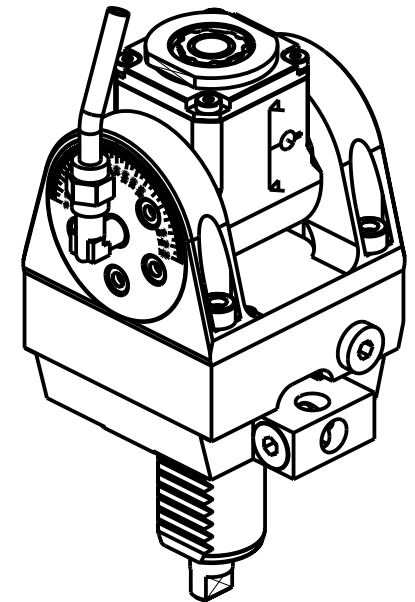
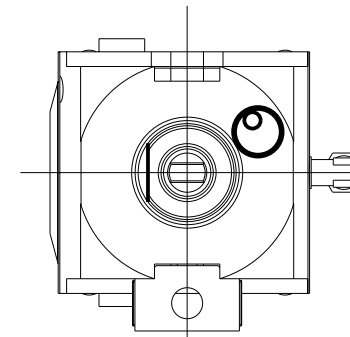
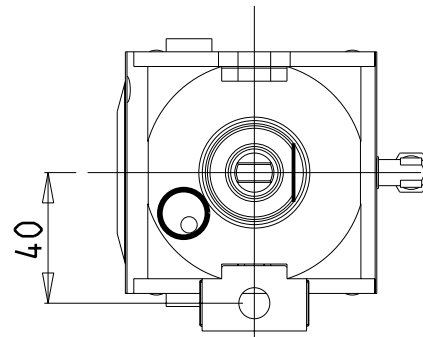


versione dx
right version
version rechts

versione sx
left version
version links



Cod. MT		Mandrino Spindle Spindel	i (n1:n2)	RPM max n2	Coppia Max Max Torque Max Drehmoment M2 (Nm)	Lubrificazione int. Coolant through Innenkuehlung Pmax (bar)	Lubr.esterna Ext. coolant Aussenkuehlung	Lav. secco Dry-run Trocken Bearb.	CHIAVI INCLUSE Keys included Schluessel inbegriffen		
versione dx right version version rechts	versione sx left version version links										
DUP0230116	DUP0231116	ERA16	1:1	6000	20	-	X	X	CHUB19_SP3	CHUB32	CHTAER16ZC
DUP0230216	DUP0231216	ERA16	1:1	6000	20	70	X	-	CHUB19_SP3	CHUB32	CHTAER16ZC

DIPLOMATIC
VDI 30

MODULO MOTORIZZATO ORIENTABILE ±90° VDI30
±90° adjustable angle driven tool VDI30
Angetriebenes Werkzeug schwenkbar ±90° VDI30

Subject to change without notice.

M.T. srl

Via Casino Albini 480
Tel. 0541/956034-957884
Fax 0541/956341
47842 S. GIOVANNI IN M. (RN)
e-mail: mtma@mtmarchetti.com
http://www.mtmarchetti.com



DUP335-1-00