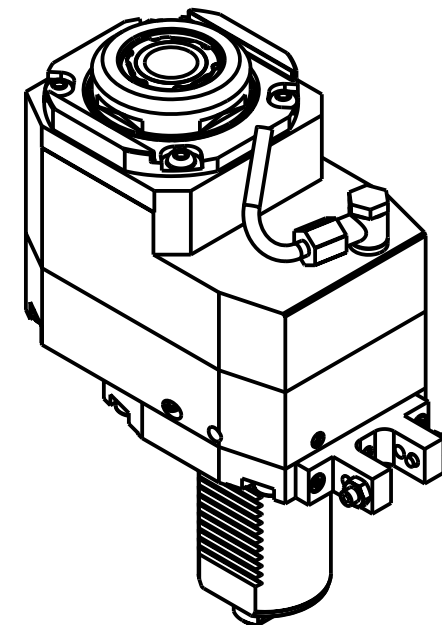
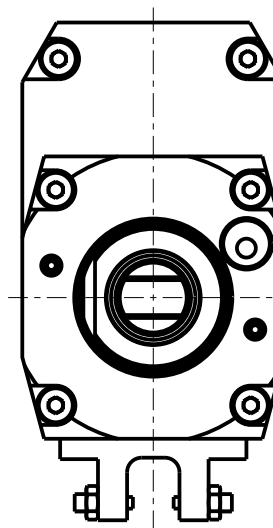
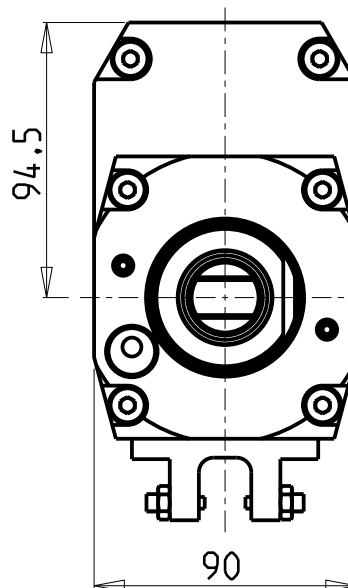


versione dx
right version
version rechts

versione sx
left version
version links



Cod. MT		Mandrino Spindle Spindel	i (n1:n2)	RPM max n2	Coppia Max Max Torque Max Drehmoment M2 (Nm)	Lubrificazione int. Coolant through Innenkuehlung Pmax (bar)	Lubr.esterna Ext. coolant Aussenkuehlung	Lav. secco Dry-run Trocken Bearb.	CHIAVI NON INCLUSE Keys not included Schlüssel nicht einbegriffen		
versione dx right version version rechts	versione sx left version version links								CHUB30	CHTAER32ZC	OKU0430007
DUP0543132	DUP0544132	ERA32	2:1	2000	130	-	X	X	CHUB30	CHTAER32ZC	OKU0430007
DUP0543232	DUP0544232	ERA32	2:1	2000	130	70	X	-	CHUB30	CHTAER32ZC	OKU0430007

- Chiave inclusa
- Key included
- Schlüssel inbegriffen

DIPLOMATIC
VDI 50

MODULO MOTORIZZATO ASSIALE RIDOTTO I=2:1 DISASSATO 50mm VDI50
Axial geared-down I=2:1 driven tool re-directed by 50mm VDI50
Axial angetriebenes Werkzeug untersetzt I=2:1 achsversetzt um 50mm VDI50

M.T. srl
Via Casino Albini 480
Tel. 0541/956034-957884
Fax 0541/956341
47842 S. GIOVANNI IN M. (RN)
e-mail: mtma@mtmarchetti.com
http://www.mtmarchetti.com



DUP160-3-10

Subject to change without notice.

09/2025