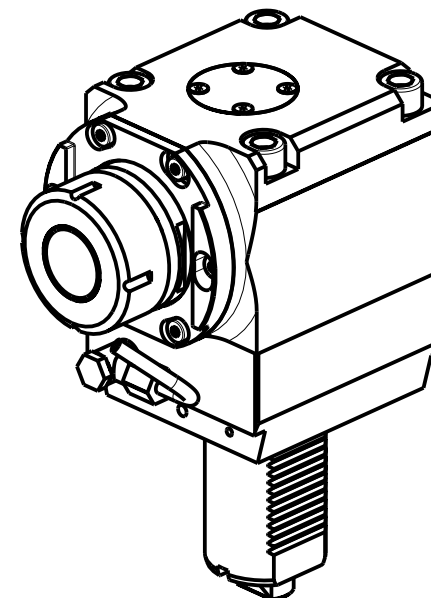
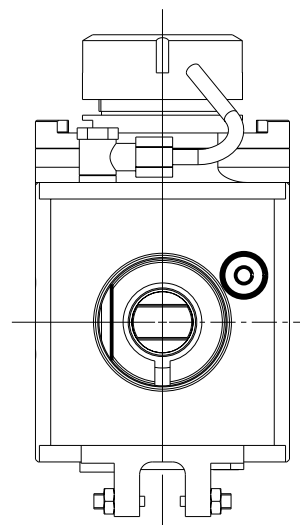
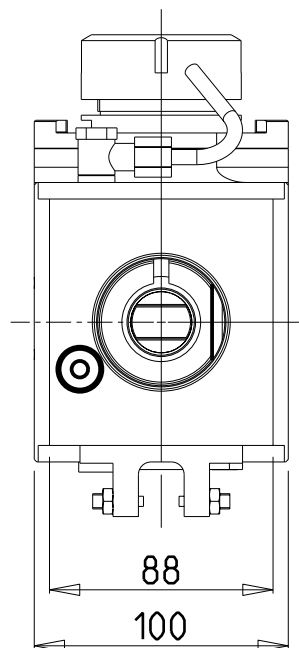


versione dx
right version
version rechts

versione sx
left version
version links



| Cod. MT | | Mandrino Spindle Spindel | I (n1:n2) | RPM max n2 | Coppia Max Max Torque Max Drehmoment M2 (Nm) | Lubrificazione int. Coolant through Innenkuehlung Pmax (bar) | Lubr.esterna Ext. coolant Aussenkuehlung | Lav. secco Dry-run Trocken Bearb. | B | CHIAVI NON INCLUSE Keys not included Schlüssel nicht einbegriffen | |
|--|--|--------------------------------|--------------|------------------|---|---|--|---|------|---|--------------|
| versione dx right version version rechts | versione sx left version version links | | | | | | | | | CHSTER40 | OKU0430007 * |
| DUP0200140 | DUP0201140 | ER40 | 1:1 | 4000 | 100 | - | X | X | 58 | CHSTER40 | OKU0430007 * |
| DUP0200240 | DUP0201240 | ER40 | 1:1 | 4000 | 100 | 100 (diag. 2) | X | X | 66.5 | CHSTER40 | OKU0430007 * |

- Chiave inclusa
- Key included
- Schlüssel inbegriffen

DIPLOMATIC
VDI 50

MODULO MOTORIZZATO RADIALE VDI50
Radial driven tool VDI50
Radial angetriebenes Werkzeug VDI50

Subject to change without notice.

M.T. srl

Via Casino Albini 480
Tel. 0541/956034-957884
Fax 0541/956341
47842 S. GIOVANNI IN M. (RN)
e-mail: mtma@mtmarchetti.com
http://www.mtmarchetti.com



DUP153-3-10

03/2026