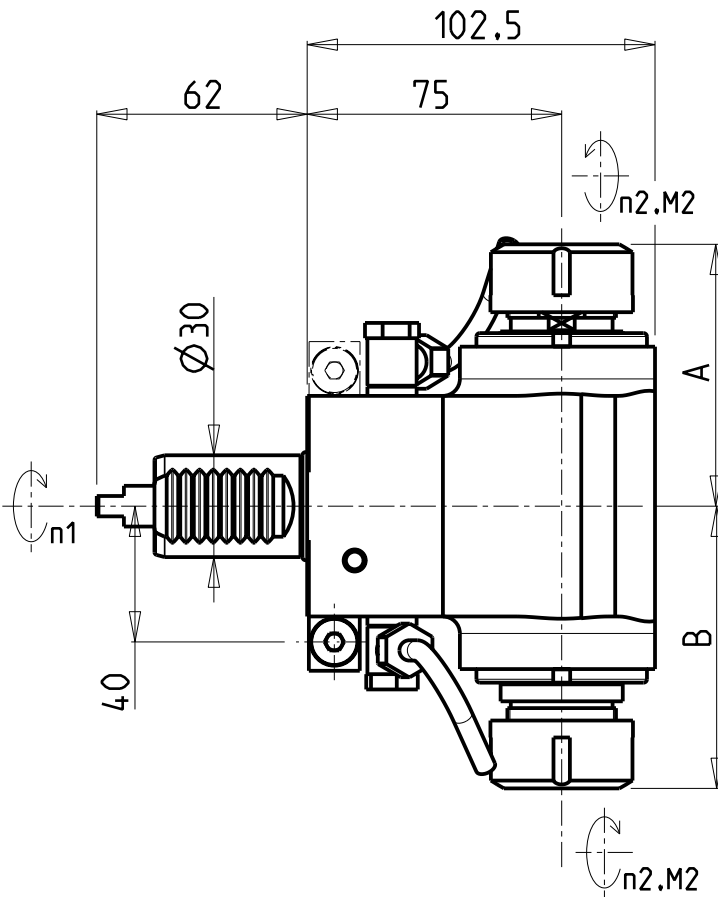


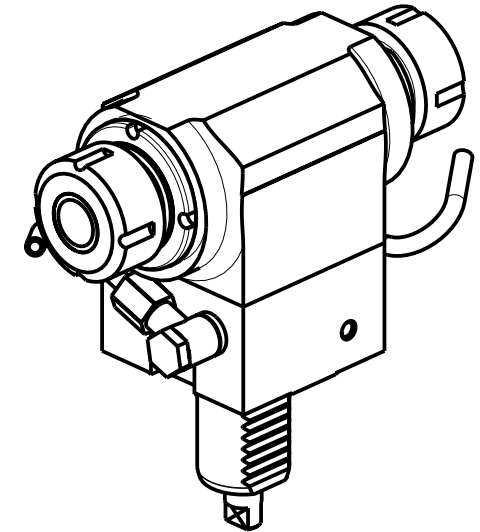
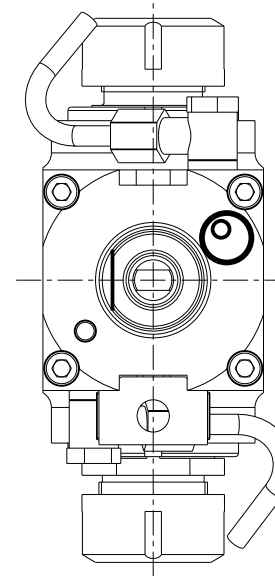
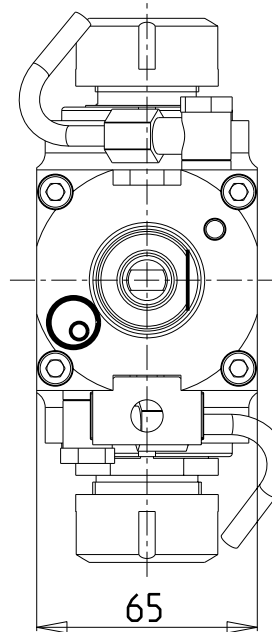
ATTENZIONE - ATTENTION - ACHTUNG

- Per lo smontaggio degli utensili utilizzare sempre la chiave di contrasto come indicato nel manuale d'uso.
- For disassembly of the tools use always the contrast key as mentioned in the user instructions.
- Fuer das Abmontieren der Werkzeuge immer den Gegenschlüssel benutzen wie in der Bedienungsanleitung erwaeht.



versione dx
right version
version rechts

versione sx
left version
version links



Cod. MT		Mandrino Spindle Spindel	I (n1:n2)	RPM max n2	Coppia Max Max Torque Max Drehmoment M2 (Nm)	Lubr.esterna Ext. coolant Aussenkuehlung	Lav. secco Dry-run Trocken Bearb.	A	B	CHIAVI NON INCLUSE Keys not included Schlüssel nicht einbegriffen		
versione dx right version version rechts	versione sx left version version links											
DUP0330220	DUP0331220	ER20+ER20	1:1	6000	32	X	X	81.2	82.2	-	CHUB38	CHSTER20
DUP0330225	DUP0331225	ER25+ER25	1:1	6000	32	X	X	77.2	83.2	CHUB29	CHUB36	CHSTER25
DUP0330320	DUP0331320	ERA20+ERA20	1:1	6000	32	X	X	68.5	66.5	CHUB22	CHUB36	CHTAER20ZC *

- Chiave inclusa
- Key included
- Schlüssel inbegriffen

DIPLOMATIC
VDI 30

MODULO MOTORIZZATO RADIALE BISPORGENTE VDI30 H=75mm
Radial opposite face twin driven tool VDI30 H=75mm
Radial angetriebenes Werkzeug halb vorspringend VDI30 H=75mm

Subject to change without notice.

M.T. srl

Via Casino Albini 480
Tel. 0541/956034-957884
Fax 0541/956341
47842 S. GIOVANNI IN M. (RN)
e-mail: mtma@tmarchetti.com
http://www.tmmarchetti.com



DUP016-1-00