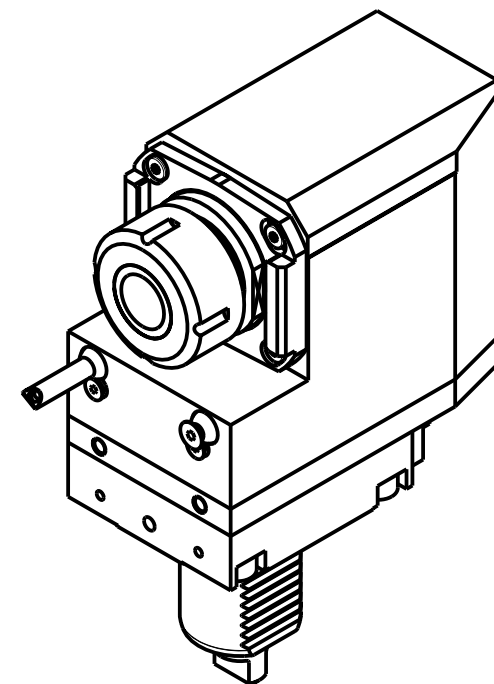
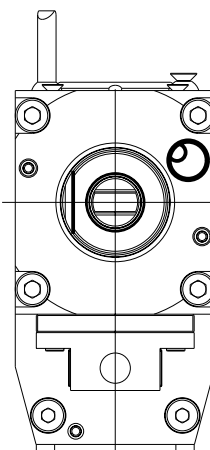
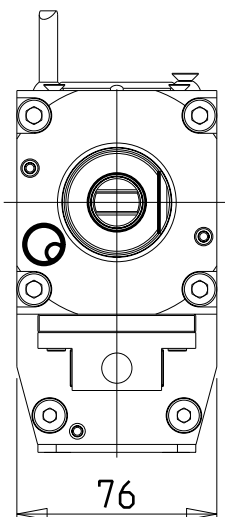


versione dx
right version
version rechts

versione sx
left version
version links



Cod. MT		Mandrino Spindle Spindel	I (n1:n2)	RPM max n2	Coppia Max Max Torque Max Drehmoment M2 (Nm)	Lubrificazione int. Coolant through Innenkuehlung Pmax (bar)	Lubr.esterna Ext. coolant Aussenkuehlung	Lav. secco Dry-run Trocken Bearb.	A	B	CHIAVI NON INCLUDE Keys not included Schluessel nicht einbegriffen	
versione dx right version version rechts	versione sx left version version links											
DUP0220125	DUP0221125	ER25	1:1	6000	70	-	X	X	42.66	95	CHSTER25	MNZ0410005 *
DUP0220225	DUP0221225	ER25	1:1	6000	70	70	X	-	42.66	108.5	CHSTER25	MNZ0410005 *
DUP0220132	DUP0221132	ER32	1:1	6000	70	-	X	X	45.66	95	CHSTER32	MNZ0410005 *
DUP0220232	DUP0221232	ER32	1:1	6000	70	100 (diag. 2)	X	X	45.66	108.5	CHSTER32	MNZ0410005 *

- Chiave inclusa
- Key included
- Schluessel einbegriffen

DUPLOMATIC
VDI 40

MODULO MOTORIZZATO RADIALE ARRETRATO VDI40 H=100mm
Radial rear-set driven tool VDI40 H=100mm
Radial angetriebenes Werkzeug zurueckversetzt VDI40 H=100mm

M.T. srl

Via Casino Albini 480
Tel. 0541/956034-957884
Fax 0541/956341
47842 S. GIOVANNI IN M. (RN)
e-mail: mtma@mtmarchetti.com
http://www.mtmarchetti.com



DUP013-2-10

Subject to change without notice.

09/2025