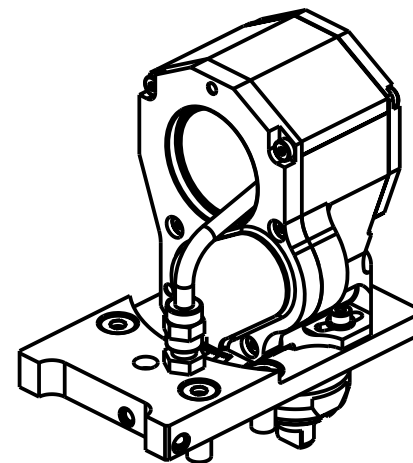


INCLINAZIONE
REGOLABILE $\pm 15^\circ$



Cod. MT	I (n1:n2)	RPM max n2	Lubr. esterna Ext. coolant Aussenkuehlung	Lav. secco Dry-run Trocken Bearb.	A	Fresa non inclusa: Milling-cutter not included: Fraese nicht inbegriffen:
CTZ0110112	2:1	3000	X	X	22	SANDVIK Coromill 325 cod. 325-12AP40-16M
CTZ0111112	2:1	3000	X	X	21,5	UTILIS MWA402657025

CITIZEN
MOD: M532

MODULO MOTORIZZATO TURBINATORE RIDOTTO I=2:1
Driven whirling tool geared-down I=2:1
Gewindewirbeleinrichtung untersetzt I=2:1

Subject to change without notice.

M.T. srl

Via Casino Albini 480
Tel. 0541/956034-957884
Fax 0541/956341
47842 S. GIOVANNI IN M. (RN)
e-mail: mtma@mtmarchetti.com
http://www.mtmarchetti.com



CTZ370-2-00