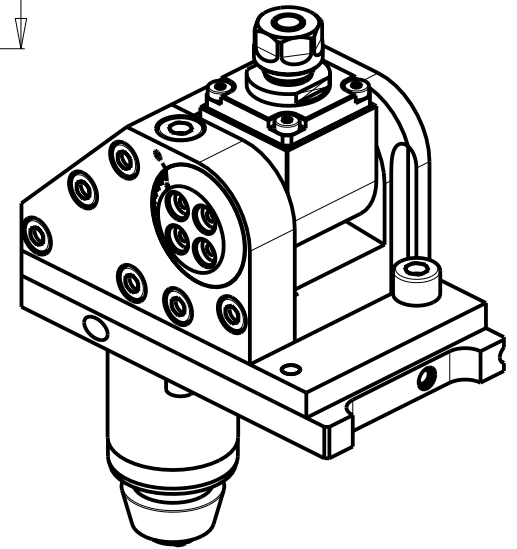


**ATTENZIONE - ATTENTION - ACHTUNG**


- Per lo smontaggio degli utensili utilizzare sempre la chiave di contrasto come indicato nel manuale d'uso.
- For disassembly of the tools use always the contrast key as mentioned in the user instructions.
- Fuer das Abmontieren der Werkzeuge immer den Gegenschlüssel benutzen wie in der Bedienungsanleitung erwaeht.



Cod. MT	Cod. CITIZEN	Mandrino Spindle Spindel	I (n1:n2)	RPM max n2	Reversibile 180° 180° Reversible 180° umsetzbar	CHIAVI INCLUSE Keys included Schlüssel inbegriffen	
CTZ0030111	KSA107MT	ER11	1:1	6000	X	CHUB19_SP3	CHUB17

**CITIZEN**  
 MOD: M20 - M32  
 MODULO MOTORIZZATO ORIENTABILE 0-90°  
 0-90° adjustable angle driven tool  
 Angetriebenes Werkzeug schwenkbar 0-90°

**M.T. srl**  
 Via Casino Albini 480  
 Tel. 0541/956034-957884  
 Fax 0541/956341  
 47842 S. GIOVANNI IN M. (RN)  
 e-mail: mtma@mtmarchetti.com  
 http://www.mtmarchetti.com



**CTZ330-1-00**

Subject to change without notice.