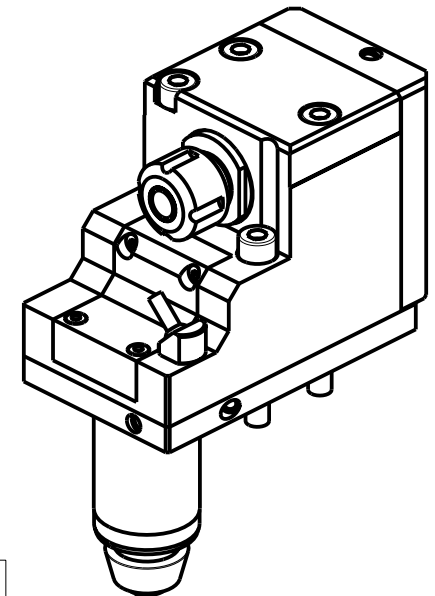
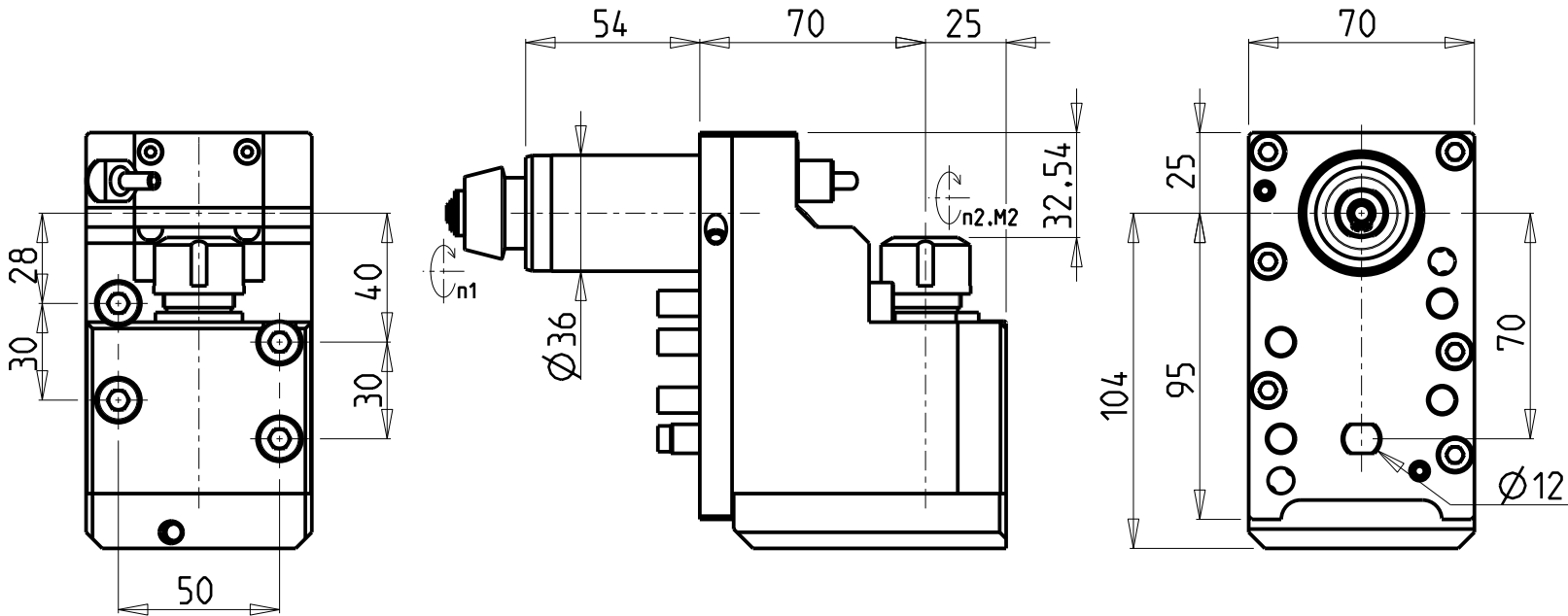


ATTENZIONE - ATTENTION - ACHTUNG

- Per lo smontaggio degli utensili utilizzare sempre la chiave di contrasto come indicato nel manuale d'uso.
- For disassembly of the tools use always the contrast key as mentioned in the user instructions.
- Fuer das Abmontieren der Werkzeuge immer den Gegenschlüssel benutzen wie in der Bedienungsanleitung erwäehnt.



Cod. MT	Cod. CITIZEN	Mandrino Spindle Spindel	I (n1:n2)	RPM max n2	Reversibile 180° Reversible 180° umsetzbar	Lubrificazione int. Coolant through Innenkuehlung Pmax (bar)	Lubr.esterna Ext. coolant Aussenkuehlung	Lav. secco Dry-run Trocken Bearb.	CHIAVI INCLUSE Keys included Schluessel inbegriffen	
CTZ0010116	KSE210MT	ER16	1:1	6000	X	-	X	X	CHSTER16	CHUB27_SP3
CTZ0010216	KSE210MTC	ER16	1:1	6000	X	100 (diag. 2)	X	X	CHSTER16	CHUB27_SP3

CITIZEN
MOD: M20 - M32
MODULO MOTORIZZATO RADIALE
Radial driven tool
Radial angetriebenes Werkzeug

M.T. srl
 Via Casino Albini 480
 Tel. 0541/956034-957884
 Fax 0541/956341
 47842 S. GIOVANNI IN M. (RN)
 e-mail: mtma@mtmarchetti.com
 http://www.mtmarchetti.com



CTZ150-1-10

Subject to change without notice.

09/2025