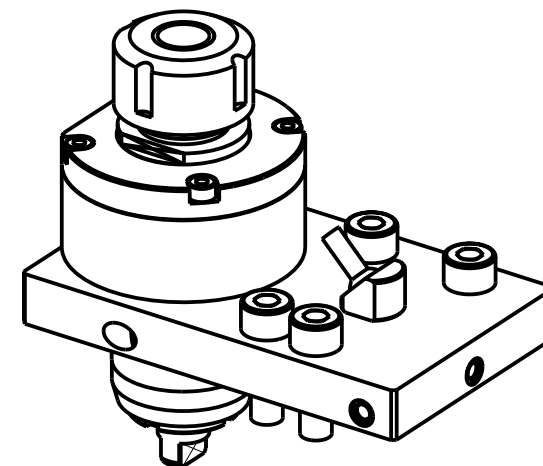


ATTENZIONE - ATTENTION - ACHTUNG

- Per lo smontaggio degli utensili utilizzare sempre la chiave di contrasto come indicato nel manuale d'uso.
- For disassembly of the tools use always the contrast key as mentioned in the user instructions.
- Fuer das Abmontieren der Werkzeuge immer den Gegenschlüssel benutzen wie in der Bedienungsanleitung erwäehnt.



Cod. MT	Cod. CITIZEN	Mandrino Spindle Spindel	I (n1:n2)	RPM max n2	Reversibile 180° Reversible 180° umsetzbar	Lubrificazione int. Coolant through Innenkuehlung Pmax (bar)	Lubr.esterna Ext. coolant Aussenkuehlung	Lav. secco Dry-run Trocken Bearb.	A	CHIAVI INCLUSE Keys included Schluessel inbegriffen	
CTZ0080116	-	ER16	1:1	6000	X	-	X	X	72	CHSTER16	CHUB27_SP3
CTZ0080120	KSC213	ER20	1:1	6000	X	-	X	X	73.4	CHSTER20	CHUB27_SP3
CTZ0080220	-	ER20	1:1	6000	X	100 (diag. 1)	X	X	75.4	CHSTER20	CHUB27_SP3
CTZ0081220	-	ER20	1:1	6000	X	100 (diag. 1)	X	X	84.4	CHSTER20	CHUB27_SP3

CITIZEN

MOD: M532

MODULO MOTORIZZATO ASSIALE

Axial driven tool

Axial angetriebenes Werkzeug

Subject to change without notice.

M.T. srl

Via Casino Albini 480
Tel. 0541/956034-957884
Fax 0541/956341

47842 S. GIOVANNI IN M. (RN)
e-mail: mtma@mtmarchetti.com
http://www.mtmarchetti.com



CTZ010-2-00

03/2026