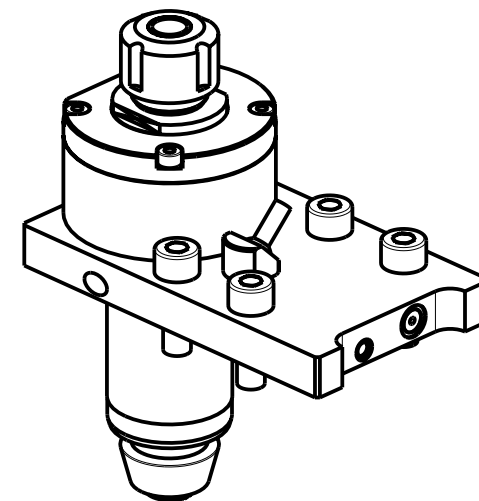


**ATTENZIONE - ATTENTION - ACHTUNG**

- Per lo smontaggio degli utensili utilizzare sempre la chiave di contrasto come indicato nel manuale d'uso.
- For disassembly of the tools use always the contrast key as mentioned in the user instructions.
- Fuer das Abmontieren der Werkzeuge immer den Gegenschlüssel benutzen wie in der Bedienungsanleitung erwäehnt.



Cod. MT	Cod. CITIZEN	Mandrino Spindle Spindel	I (n1:n2)	RPM max n2	Reversibile 180° Reversible 180° umsetzbar	Lubrificazione int. Coolant through Innenkuehlung Pmax (bar)	Lubr.esterna Ext. coolant Aussenkuehlung	Lav. secco Dry-run Trocken Bearb.	A	A1	CHIAVI INCLUDE Keys included Schluessel inbegriffen	
CTZ0020116	KSC110MT	ER16	1:1	6000	X	-	X	X	73	-	CHSTER16	CHUB27_SP3
CTZ0020216	KSC110MTC	ER16	1:1	6000	X	70	X	-	73	-	CHSTER16	CHUB27_SP3
CTZ0020710	-	WELDON 10	1:1	6000	X	-	X	X	-	62.7	-	-

CITIZEN  
 MOD: M20 - M32  
 MODULO MOTORIZZATO ASSIALE  
 Axial driven tool  
 Axial angetriebenes Werkzeug

**M.T. srl**  
 Via Casino Albini 480  
 Tel. 0541/956034-957884  
 Fax 0541/956341  
 47842 S. GIOVANNI IN M. (RN)  
 e-mail: mtma@tmarchetti.com  
 http://www.tmmarchetti.com



CTZ010-1-00

Subject to change without notice.

09/2025