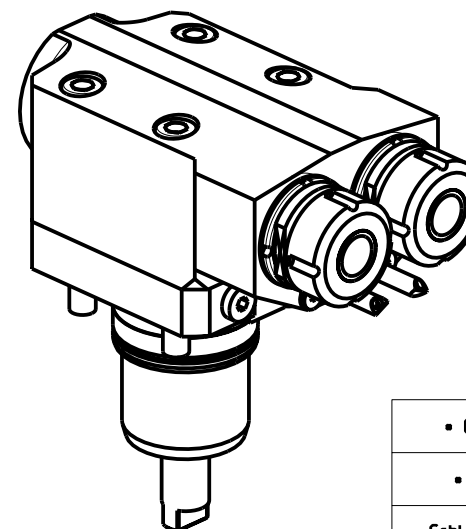
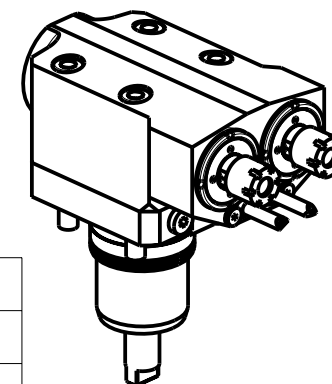


### ATTENZIONE - ATTENTION - ACHTUNG

- Per lo smontaggio degli utensili utilizzare sempre la chiave di contrasto come indicato nel manuale d'uso.
- For disassembly of the tools use always the contrast key as mentioned in the user instructions.
- Fuer das Abmontieren der Werkzeuge immer den Gegenschlüssel benutzen wie in der Bedienungsanleitung erwaeht.



NKM0130216



- Chiave inclusa
- Key included
- Schluessel inbegriffen

Cod. MT	Mandrino Spindle Spindel	I (n1:n2)	RPM max n2	Coppia Max Max Torque Max Drehmoment M2 (Nm)	Reversibile 180° 180° Reversible 180° umsetzbar	Lubrificazione int. Coolant through Innenkuehlung Pmax (bar)	Lubrificazione est. Ext. coolant Aussenkuehlung	Lav. secco Dry-run Trocken Bearb.	A	H	CHIAVI NON INCLUDE Keys not included Schluessel nicht einbegriffen		
NKM2490216	ER16	1:1	12000	30	X	-	X	X	115.15	82	CHUB17	CHMNER16	
NKM2490520	ERA20	1:1	12000	30	X	100 (diag. 2)	X	X	116.15	87	MNLO210007	CHUB22	CHTAER20ZC *
NKM2490225	ER25	1:1	12000	30	X	-	X	X	115.61	82	MNLO210007	CHSTER25	
NKM2490425	ER25	1:1	12000	30	X	100 (diag. 2)	X	X	128.11	87	MNLO210007	CHSTER25	

CMZ

MOD: TTL 52 - TTL 66 - TA15-20-25-30M/Y/MS/MY/YS 15 ST.

MODULO MOTORIZZATO ASSIALE 2 USCITE IN Y 12000 RPM H=55mm  
 Axial single side twin head driven tool in Y 12000 rpm H=55mm  
 Axial angetriebenes Werkzeug 2 Ausgaenge in Y 12000 rpm H=55mm

**M.T. srl**

Via Casino Albini 480  
 Tel. 0541/956034-957884  
 Fax 0541/956341  
 47842 S. GIOVANNI IN M. (RN)  
 e-mail: mtma@mtmarchetti.com  
 http://www.mtmarchetti.com



CMZ260-3-11

Subject to change without notice.

09/2025