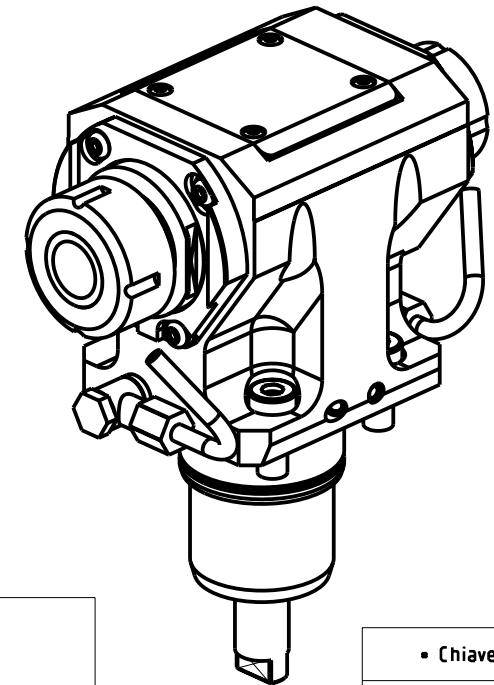
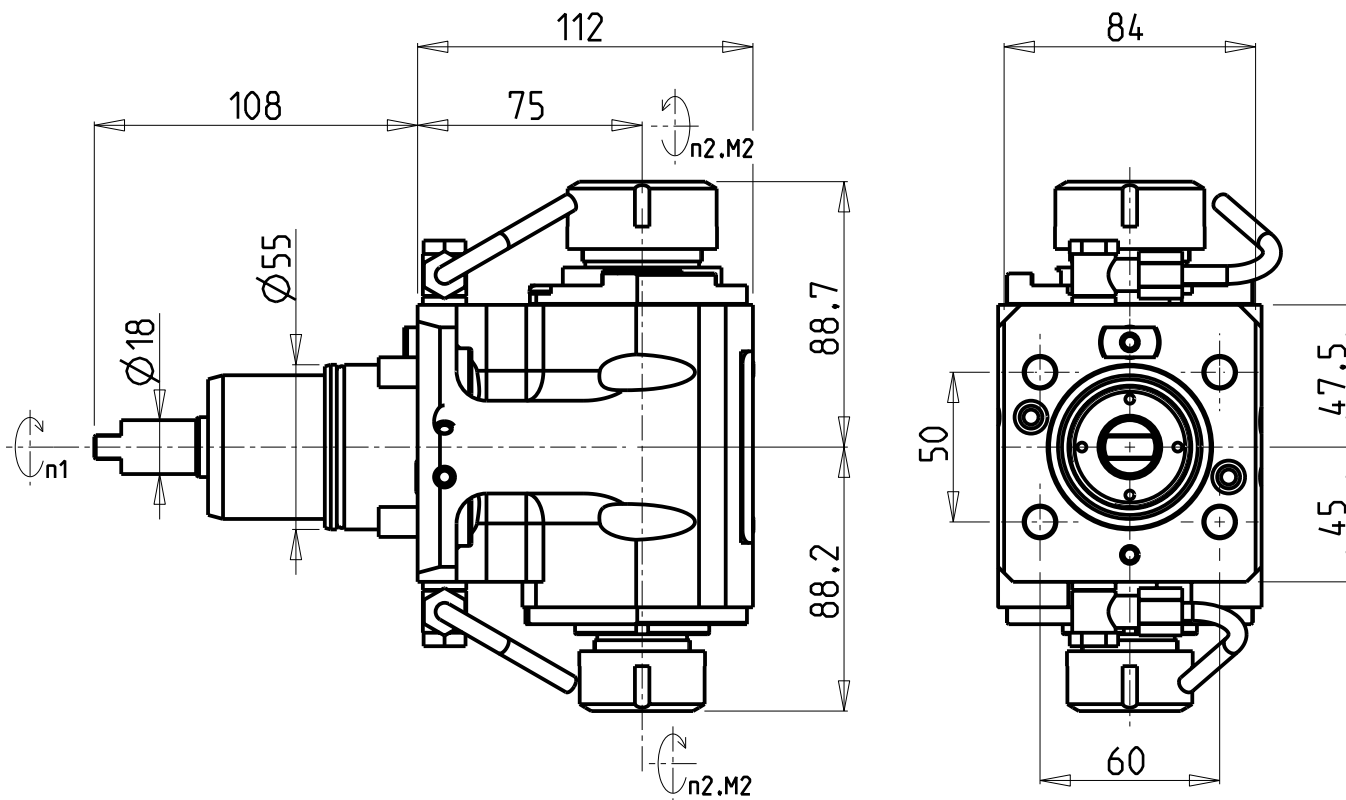


ATTENZIONE - ATTENTION - ACHTUNG

- VERIFICARE LE MISURE DI INGOMBRO PER POSSIBILE INTERFERENZA SU ALCUNI MODELLI DI MACCHINE
- Please check the overall sizes for possible interferences on some machine models
- Bitte überprüfen sie das ausmass um mögliche interferenzen auf einigen maschinen modellen zu vermeiden




- Chiave inclusa
- Key included
- Schlüssel inbegriffen

Cod. MT	Mandrino Spindle Spindel	I (n1:n2)	RPM max n2	Coppia Max Max Torque Max Drehmoment M2 (Nm)	Reversibile 180° 180° Reversible 180° umsetzbar	Lubrificazione est. Ext. coolant Aussenkuehlung	Lav. secco Dry-run Trocken Bearb.	CHIAVI NON INCLUSE Keys not included Schlüssel nicht einbegriffen		
NKM2483225	ER32+ER25	1:1	12000	50	X	X	X	CHSTER32	CHSTER25	OKU0650004 •

CMZ
 MOD: TTL 52 - TTL 66 - TA15-20-25-30M/Y/MS/MY/YS 15 ST.
 MODULO MOTORIZZATO ASSIALE BISPORGENTE 12000 RPM H=75mm
 Axial opposite face twin driven tool 12000 rpm H=75mm
 Axial angetriebenes Werkzeug halb vorspringend 12000 rpm H=75mm

M.T. srl
 Via Casino Albini 480
 Tel. 0541/956034-957884
 Fax 0541/956341
 47842 S. GIOVANNI IN M. (RN)
 e-mail: mtma@mtmarchetti.com
 http://www.mtmarchetti.com



CMZ240-3-23

Subject to change without notice.